

Dialight

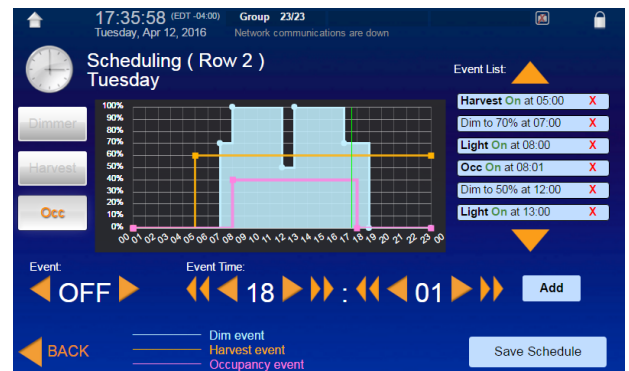
Rockwell  
Automation  
Encompass™  
Product Partner  
Americas



**Vigilant® LED High Bay Controls - UL**  
for Indoor and Outdoor Industrial Applications

# Take control of your lighting

The High Bay lighting control system combines Dialight's industry leading LED High Bay with a powerful yet simple to use High Bay Gateway.



## On / Off Control

### Instant on/off capabilities

- Take advantage of the instant on/off capabilities of LED lighting with the touch of a button

## Dimming

### Maximize your ROI by taking advantage of the easy to use dimming feature

- Adjust light output from 100% down to 20% in 10% increments
- Dimming events are faded for smooth transitions between light levels

## Grouping

### Fixtures can be combined into groups to allow quick control over different areas in a facility

- Fixtures can be set to blink for easy identification

## Scheduling

### Dialight's comprehensive, energy efficient and fully customizable lighting schedule allows you to get the most out of your lighting network, 24/7

- Easily control when fixtures turn on, off or dim
- Lighting events are set by daily profiles and can be scheduled in one-minute intervals



# Wireless IEEE 802.15.4 Standard

The Vigilant with Controls allows facilities to leverage numerous energy-saving and operational advantages



## Frequency of operation

### Standard communication platform

- 2.4GHz global digital communication standard



## High Bay Gateway

### Dialights High Bay Gateway can control multiple devices

- One High Bay Gateway can control up to 100 endpoints / nodes (lights/sensors)
- Can be controlled from any Tablet or PC on the network

## Mesh network topology

### Increases reliability between Dialight's LED High Bay and network

- Extends network range by relaying network communications from light to light
- Increases reliability by self-healing wireless network routing

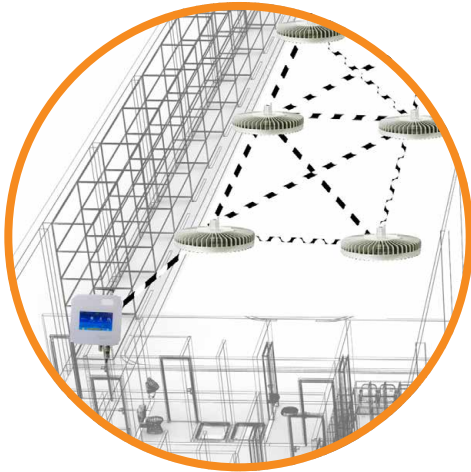
## Secure encrypted communications

### Secure authentication

- 128-bit AES encryption
- Secure authentication and device joining

## Wired DALI System

The High Bay lighting control system combines Dialight's industry leading LED High Bay with a powerful yet simple to use High Bay Gateway.



### DALI Communication

#### Create a fixture network

- Create a fixture network of up to 64 Lights
- DALI communication wires can be wired without regard for polarity

## Wi - Fi Connections

Directly connect to the High Bay Gateway from your Wi-Fi enabled device

### Wi - Fi Connections

Direct Wi-Fi connectivity to the High Bay Gateway gives users the freedom to fully manage the lighting system while roaming about the lighting area.

- Fixtures can be set to blink for easy identification



# Dialight Enterprise Software

## DACS (Dialight Architecture for Controls System)



### Certifications & Ratings

- UL 60950-1
- CAN / CSA-C22.2 #60950-1
- EN 60950-1
- JEC 60950-1
- FCC CFR
- ICES - 003
- EN 55022
- EN 55024
- VCCI V-3, V-4
- KN - 22, KN - 24
- CNS 13438
- CISPR 22

### Mechanical Information:

**Fixture weight:** 1 lb (454 g)  
**Shipping weight:** 2.2 lbs (998 g)  
**Dimensions:** 4.59" x 4.41" x 1.36"

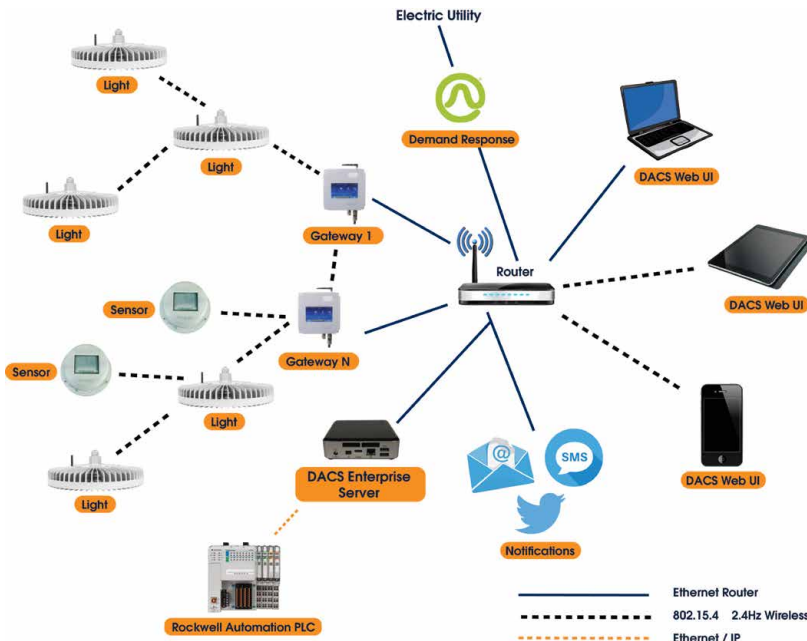
### Electrical Specifications:

**Operating voltage:** 12 - 19V DC, 65W  
**Operating temperature:** 0°C to +50°C  
**Storage temperature:** -20°C to +70°C  
**Ethernet:** 10 / 100 / GB Ethernet  
**Memory:** 8 GB DDR3 / 250 GB mSATA

All values typical unless otherwise stated

Part Number	Voltage
DACN825ALX	12 - 19V DC, 65W

\*For more information on DACS, please refer to user manual

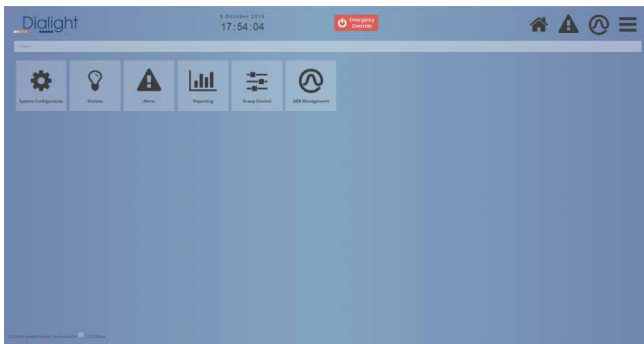


### DACS Features

- Multiple layers of device communication
- Access from network capable devices
- Alert / notification support

# Dialight Enterprise Software

## DACS (Dialight Architecture for Controls System)



**Home** - navigate back to home screen



**Alerts** - navigate to view alerts



**ADR** - navigate to ADR management



**Options** - log out / learn more about DACS

## Main Screen

The main screen gives the user access to all of the features and controls that the DACS system offers. Each sub-menu will direct the user to a different feature / control.

- Menu bar features quick navigation options
- Emergency override feature automatically brings all lights to 100% ON when pressed
- Real-time clock



## Menu Options

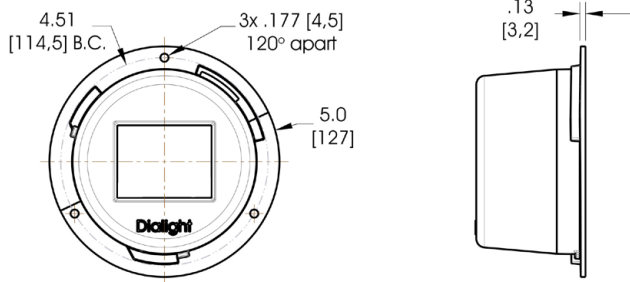
Each button holds a different tool to help the user control the DACS system.

- **System Configuration** - This sub menu will allow you to customize all aspects of your DACS system. This includes adding/removing gateways, lights, and sensors. You can also modify Schedules, Groups, Users, and Alerts.
- **Devices** - This sub menu will allow you to view all devices currently connected to your system. You can also view in-depth information about each light/sensor as well as identify each light individually.
- **Alerts** - This sub menu will allow you to view and manage all current alerts with the system.
- **Reporting** - This sub menu will allow you to print power reports for specific light groups or all connected lights.
- **Group Control** - This sub menu will allow you to control your lights outside of schedules. You can dim individual groups or all devices connected to your DACS system.
- **ADR Management** - This sub menu will let you view/modify your current ADR events.

\*For more information on DACS, please refer to user manual

# Daylight Harvesting Sensor

## Standard Models



Dimensions are in Inches [mm]

### Certifications & Ratings

- UL 916
- CSA 22.2 #205
- CE
- IP certification rating (pending)

### Features & Benefits

- Capable of measuring up to 2000 lux (200 fc)
- Wireless communication to Gateway
- Low power consumption
- Separate mounting base for easy installation
- Fully compatible with Dialight WLC-004-MBAL Gateway

### Mechanical Information:

- Fixture weight:** 10 oz (283 g)
- Shipping weight:** 18 oz (510 g)
- Dimensions:** 5" D x 2.5" H
- Mounting:** Mounting plate (comes with sensor)

### Electrical Specifications:

- Operating voltage:** 110 – 277V AC, 50/60 Hz
- Total system power consumption:** ~300mW
- Operating temperature:** -13°F to +149°F (-25°C to +65°C)
- Lux measurement range:** 0 - 2000 lux

### EMC:

- Emissions:** EN55022 Class A
- RF immunity:** IEC/EN61000-4-3 Class A, 10V/m
- Conducted immunity:** IEC/EN61000-4-6 Class A, 10V/m
- Surge:** IEC/EN61000-4-5 2kV/2 Ohms L -> N combination wave
- Voltage dips & interrupts:** IEC/EN61000-4-11 Class B

### Construction:

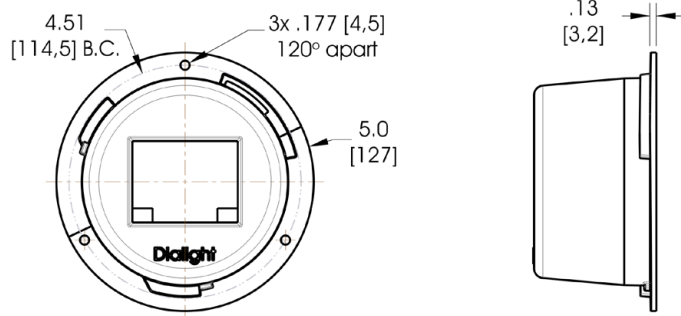
- Housing:** UV stabilized polycarbonate
- Color:** Grey
- Lens:** UV stabilized polycarbonate

All values typical unless otherwise stated (tolerance +/- 10%)

Part Number	Voltage
DLHU124UGLX	100 - 277V AC, 50/60 Hz

# Wireless Occupancy Sensor

## Standard Models



Dimensions in inches [mm]

### Certifications & Ratings

- UL 916
- CE
- CSA 22.2 #205
- IP66
- 5yr full performance warranty

### Mechanical Information:

<b>Fixture weight:</b>	10 oz (283 g)
<b>Shipping weight:</b>	18 oz (510 g)
<b>Dimensions:</b>	5" D x 2.5" H
<b>Mounting:</b>	Mounting plate (comes with sensor)

### Electrical Specifications:

<b>Operating voltage:</b>	3.3V via 2 – AA Lithium Batteries (included)
<b>Total system power consumption:</b>	25 mW typical / 83 mW max
<b>Operating Temp:</b>	-40°F to +149°F (-40°C to +65°C)
<b>Harmonics:</b>	IEC 61000-3-2
<b>Noise requirement /EMC:</b>	FCC Title 47, Subpart B, Section 15, class A device. RF Immunity; 10V/m, 80MHz-1GHz
<b>Transient protection:</b>	1 kV line to line 2 kV line to ground
<b>THD:</b>	<20%
<b>Power Factor:</b>	> 0.9

### Construction:

<b>Housing:</b>	UV stabilized polycarbonate
<b>Finish:</b>	Grey
<b>Lens:</b>	Fresnel

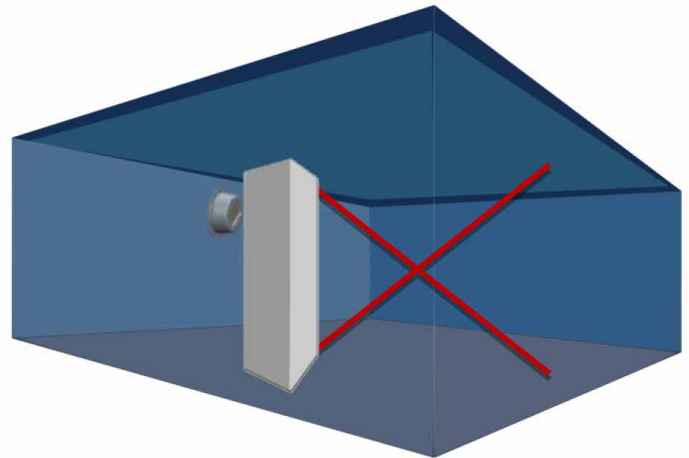
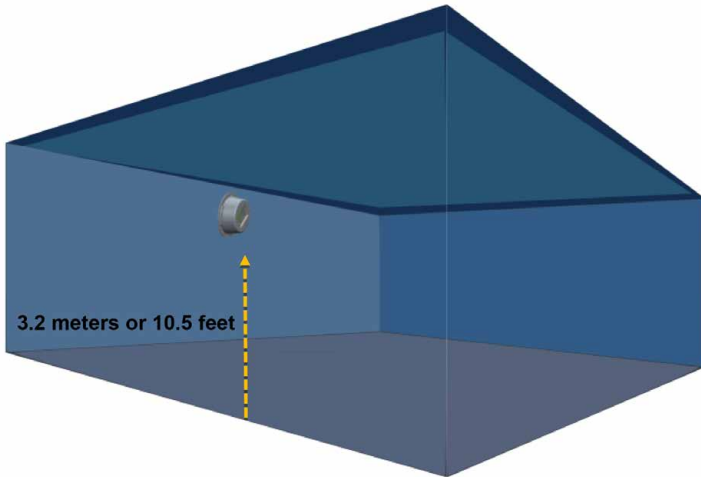
All values typical unless otherwise stated



# Wireless Occupancy Sensor

## Ordering Information and Mounting Options

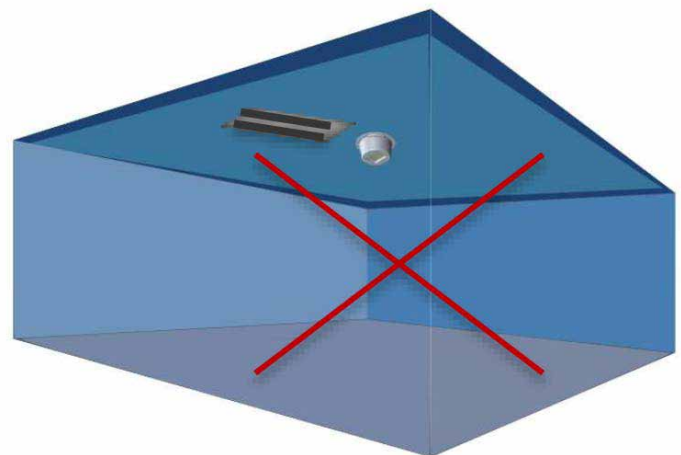
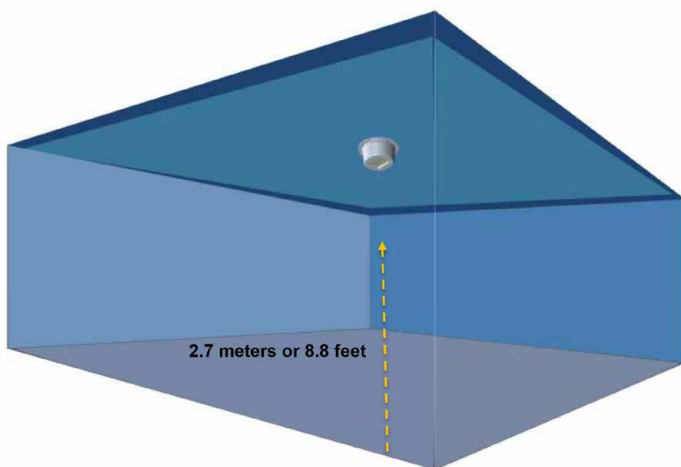
### Mounting Options - Narrow



The long range sensor is best used as a wall mounted sensor. The recommended install for this sensor is 3.2 meters or 10.5 feet from the floor.

Avoid placing sensors where obstacles can block the sensors line of sight.

### Mounting Options - Wide



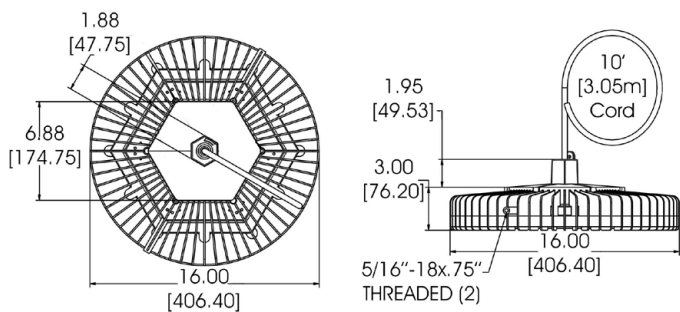
The wide optic sensor is best used as a ceiling mounted sensor. The recommended install for this sensor is 2.7 meters or 8.8 feet from the floor.

Sensors should be mounted 6 feet away from any open air vent or strong air supply openings.

Part number	Voltage	Lens	Angle
WOSU12BGLX	3.3V via 2 – AA lithium batteries	Fresnel	Narrow
WOSU22BGLX	3.3V via 2 – AA lithium batteries	Fresnel	Wide

# Vigilant® LED High Bay with Controls - UL

## for Indoor and Outdoor Industrial Applications



Dimensions are in Inches [mm]

### Certifications & Ratings

- UL 1598/A
- CSA 22 #250
- NEMA 4X
- IP66

### Features & Benefits

- 10 year full performance warranty
- L70 rated for >100,000 hours @ 25°C ambient
- Dual Mounting option available
- Significantly reduced glare
- Instant on/off
- Maintenance free

### Mechanical Information:

- Fixture weight:** 18 lbs (8.16kg)
- Shipping weight:** 24 lbs (10.8kg)
- Mounting:** 10' (3.05m) STOOV Power Cord

### Electrical Specifications:

- Operating Voltage:** 110 – 277V AC: 26,500lm models  
100 – 277V AC: 18,000, 14,000 & 11,000lm models
- Total system power consumption:** See table
- Operating Temp:** -40°F to +149°F (-40°C to +65°C)
- Harmonics:** IEC 61000-3-2
- Noise requirement /EMC:** FCC Title 47, Subpart B, Section 15, class A device. RF Immunity; 10V/m, 80MHz-1GHz
- Transient protection:** 6kV/2 ohm combination wave, as per IEEE C62.41, line-line and line-ground
- THD:** <20%
- Power Factor:** > 0.9

### Construction:

- Housing:** Copper free aluminum
- Finish:** Superior dual coat finish  
Sealed polyester topcoat  
Chemical-resistant epoxy prime
- Lens:** Tempered glass

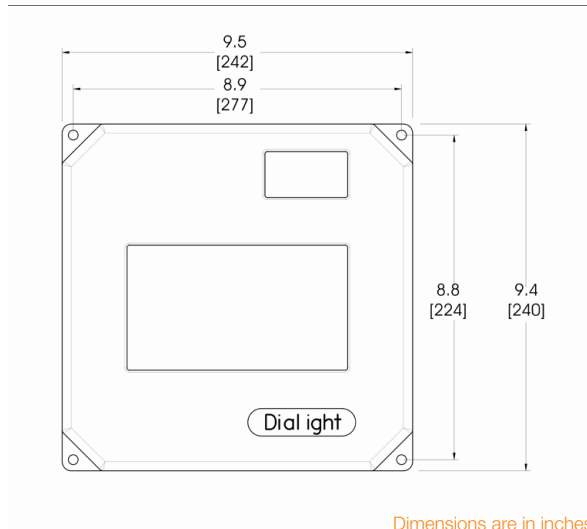
### Photometric Information:

- CRI:** 75
- CCT:** 5000K (cool white)  
4000K (neutral white)

All values typical unless otherwise stated (tolerance +/- 10%)

# High Bay Gateway - UL

## for Indoor and Outdoor Industrial Applications



### Physical Dimensions

- 9.5in (241.3mm) Width
- 9.5in (241.3mm) Height
- 2in (50.8mm) Depth

### Screen

- 7in (177.8mm) Diagonal
- 6in (152.4mm) Wide
- 3.5in (88.9mm) High
- User Input: Resistive Touch screen
- Resolution – 800 x 480 pixels

### Mechanical Information:

- Fixture weight:** 7lbs (3kg)
- Shipping weight:** 12lbs (8kg)
- Mounting:** Four (4) .25in (6.35mm) Flat surface wall mounting screw holes
- Cabling:** RJ45 10/100MB Ethernet port

### Electrical Specifications:

- Operating Voltage:** 120 - 277V AC
- Total system power consumption:** See table
- Operating Temp:** -40°C to +65°C
- Network Adapter:** RJ45 10/100MB Ethernet port

### Construction:

- Housing:** Aluminum  
Plastic available (consult factory)

All values typical unless otherwise stated (tolerance +/- 10%)

# Vigilant® LED High Bay with Controls - UL

## Ordering Information



- HBXW3-SSL-316**  
**HBXW3-SSL-304**
- Stainless steel bracket



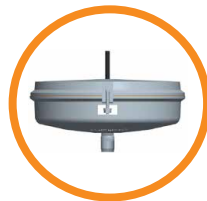
- HBXCAB48**
- 48" long stainless steel safety rope (for use with safety bracket)



- HBXDC**
- 21° slope dust cover
- HBXDC45**
- 45° slope dust cover
- HBXDC60**
- 60° slope dust cover



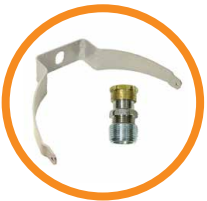
- FLX1HBXSS**
- 304 Stainless steel forward throw bracket



- HBXTH347480**
- Top hat with 347-480V AC step down transformer (consult factory when using with hook or loop)



- HBXH**
- Hook



- HBXW2**
- Swivel bracket and cable gland
- HBXW3**
- Swivel bracket



- HBXL**
- Loop



- HBXDUALBRCKT**
- Dual bracket



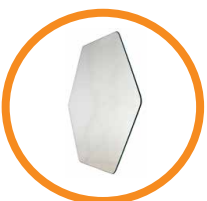
- HBXCU**
- Ceiling / wall mount



- HBXREF22**
- 22" Acrylic reflector (must be ordered with high bay, not a retrofit option)



- HBXCG**
- Cable gland



- HBXLENAC**
- Acrylic lens, clear
- HBXLENAD**
- Acrylic lens, diffused

# Vigilant® LED High Bay with Controls - UL

## Ordering Information

Part number	Fixture Lumens	Wattage	Lumens per Watt	Voltage	CCT	Wet Location	Lens	Optics
<b>Vigilant LED High Bay - Jennet 2.4GHz</b>								
HEGMC4PJ-SNGLX	26,500	213	124	110 - 277V AC	5000K (cool white)	IP66	Tempered glass	Circular
HEGRC4PJ-SNGLX	26,500	213	124	110 - 277V AC	5000K (cool white)	IP66	Tempered glass	Wide
HEGMC4KJ-SNGLX	18,000	145	124	100 - 277V AC	5000K (cool white)	IP66	Tempered glass	Circular
HEGRC4KJ-SNGLX	18,000	145	124	100 - 277V AC	5000K (cool white)	IP66	Tempered glass	Wide
HEGMC4GJ-SNGLX	14,000	113	124	100 - 277V AC	5000K (cool white)	IP66	Tempered glass	Circular
HEGRC4GJ-SNGLX	14,000	113	124	100 - 277V AC	5000K (cool white)	IP66	Tempered glass	Wide
HEGMC4DJ-HNGLX	11,000	89	124	100 - 277V AC	5000K (cool white)	IP66	Tempered glass	Circular
<b>Vigilant LED High Bay - DALI Protocol</b>								
HEGMC4PA-SNGLX	26,500	213	124	110 - 277V AC	5000K (cool white)	IP66	Tempered glass	Circular
HEGRC4PA-SNGLX	26,500	213	124	110 - 277V AC	5000K (cool white)	IP66	Tempered glass	Wide
HEGMC4KA-SNGLX	18,000	145	124	100 - 277V AC	5000K (cool white)	IP66	Tempered glass	Circular
HEGRC4KA-SNGLX	18,000	145	124	100 - 277V AC	5000K (cool white)	IP66	Tempered glass	Wide
HEGMC4GA-SNGLX	14,000	113	124	100 - 277V AC	5000K (cool white)	IP66	Tempered glass	Circular
HEGRC4GA-SNGLX	14,000	113	124	100 - 277V AC	5000K (cool white)	IP66	Tempered glass	Wide
<b>High Bay Gateway - DALI &amp; Jennet</b>								
WLC-004-MBALLX		10W typical, 20W max		120 - 277V AC				

<sup>1</sup>Part numbers in table above are in cool white (5000K CCT). For models needing neutral white (4000K CCT), replace the 5th character with a N. Example: HEGMC4PN-SNG becomes HEGMN4PN-SNG. Deduct 8% from lumen values when specifying neutral.

<sup>2</sup>For models needing Safety Bracket replace the 10th character with a S. Example: HEGMC4PN-SNG becomes HEGMC4PN-SSG

All values typical unless otherwise stated, Lumen values are typical (tolerance +/- 10%).

