



*nLight® AIR
rES7:
Fixture embedded
nLight® AIR smart sensor*

OVERVIEW

The nLight® AIR rES7 sensor is a in-fixture, low voltage, digital sensor providing embedded wireless lighting control, digital dimming, occupancy detection and daylight harvesting capabilities. The rES7 is designed for mounting heights of up to 20 ft in indoor luminaires. The rES7 sensor provides Passive Infrared (PIR) occupancy detection over a 15-20 ft (4.57-6.10 m) radial coverage pattern and photocell light level detection in one compact low profile design. The rES7 sensor is ideal for occupancy and daylighting control in suspended or recessed luminaires and comes factory integrated into Lithonia Lighting BLT, VTL, WL, and Peerless Bruno Fixtures.

FEATURES

- 100% Digital PIR detection
- Occupancy and photocell all in one, integrated from the factory... No onsite wiring required.
- Standards-based 900Mhz and Bluetooth® radios with advanced security
- 900MHz used for lighting control functions, and Bluetooth for configuration and calibration via CLAIRITY Mobile App
- No external antenna required

Warranty

Five-year limited warranty. Complete warranty terms located at:
www.acuitybrands.com/CustomerResources/Terms_and_conditions.aspx

Note: Actual performance may differ as a result of end-user environment and application. Specifications subject to change without notice.



nLight® AIR Platform

nLight, nLight AIR and the Acuity Controls and Acuity Brands logos are trademarks of Acuity Brands. Bluetooth is a trademark of Bluetooth SIG, Inc. used by Acuity Brands under license. Apple and the Apple logo are trademarks of Apple Inc. Android and Google Play are trademarks of Google, Inc. Other trademarks are property of their respective owners.

Note: nLight® AIR devices are only compatible with other nLight AIR enabled devices; and is not cross compatible with other nLight product lines at this time.

ORDERING INFORMATION

Examples: RES7N

Series

| | |
|-------|--|
| RES7N | nLight AIR occupancy and daylight sensor; connects with RPODB to control up to 128 fixtures in a network |
| RES7Z | nLight AIR occupancy and daylight sensor; connects with RPODBZ to control up to 50 fixtures in a standalone zone |

SPECIFICATIONS

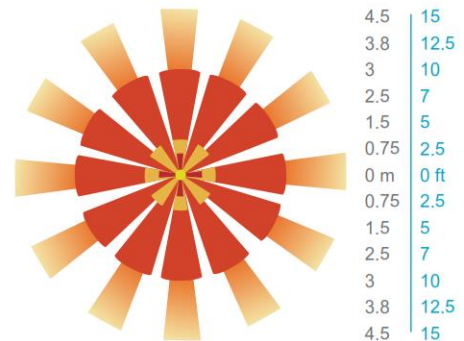
| | |
|----------------------------|--|
| Dimensions | 1.180" h x 2.617" w x 1.335" d |
| Weight | 1.25 oz |
| Trim Color | White |
| Enclosure Material | Poly-Carbonate/ABS |
| Max Humidity | 0-95% non-condensing |
| Operating Temperature | -40°C to 60°C |
| IP Rating | IP50 - Dust protected |
| Mounting | Fixture-Mounted |
| Radio Frequency | Dual Radio: 900MHz & 2.4GHz |
| RF Transmit Power | 900Mhz: +20dBm; 2.4GHz: Variable |
| Wireless Standard | 900MHz: IEEE 802.15.4-based 2.4GHz: Version 4.0+ of the Bluetooth specification |
| Wireless Range | 900MHz: Up to 1000 ft. (~304m) in free space/ line of sight 600 ft to 800 ft through obstruction depending on building construction 2.4Ghz: up to 60 ft. (~18m) in free space/ line of sight |
| Security | Application Data Encryption: AES-128 bit Mutual Entity Authentication Message Confidentiality Message Authentication and Replay Prevention Limited Anonymity |
| Regulatory Compliance | Wireless: FCC, IC, Safety: UL Listed; RoHS Compliant |
| Compatible Acuity Fixtures | Lithonia Lighting VTL, BLT, WL, Peerless Bruno |
| Programming Tool | CLAIRITY Mobile App |

COVERAGE PATTERN

Micro 360° Lens

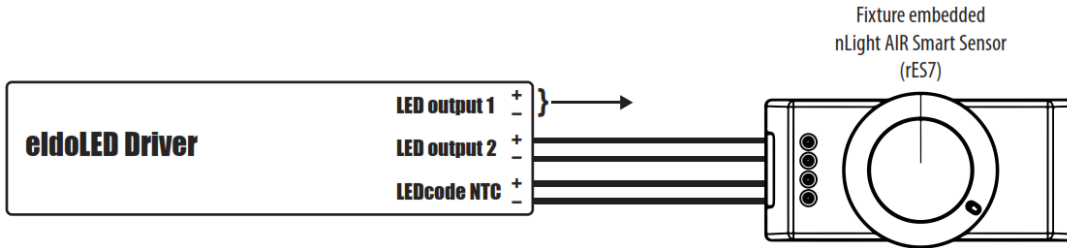
- At the 7.5 ft (2.29 m) hanging height of a typical pendant mount fixture the sensor provides 10 ft (3.05 m) radial detection of small motion. At a 9 ft (2.74 m) hanging height the radius is 12 ft (3.66 m) for small motion.
- Adequate for walking motion detection from mounting heights between 7.5 ft (2.29 m) and 20 ft (6.10 m).
- Initial detection will occur earlier when walking across sensor's field of view than when walking directly at sensor
- Initial detection of walking motion into long coverage segment will occur at distances of 2x the mounting height up to 15 ft (4.57 m) and 1.75x up to 20 ft (6.10 m). Lens assembly rotates 15° to enable adjustment in order to line up long segments.

7.5 FT Mounting Height



lens rotates 15 deg to enable adjustment.

WIRING DIAGRAM



Note:

On-site wiring NOT required

Programmable Output Channel required

COMPATIBLE FIXTURES

Factory integrated rES7 Occupancy and Daylight Sensor



Lithonia Lighting BLT



Lithonia Lighting VTL

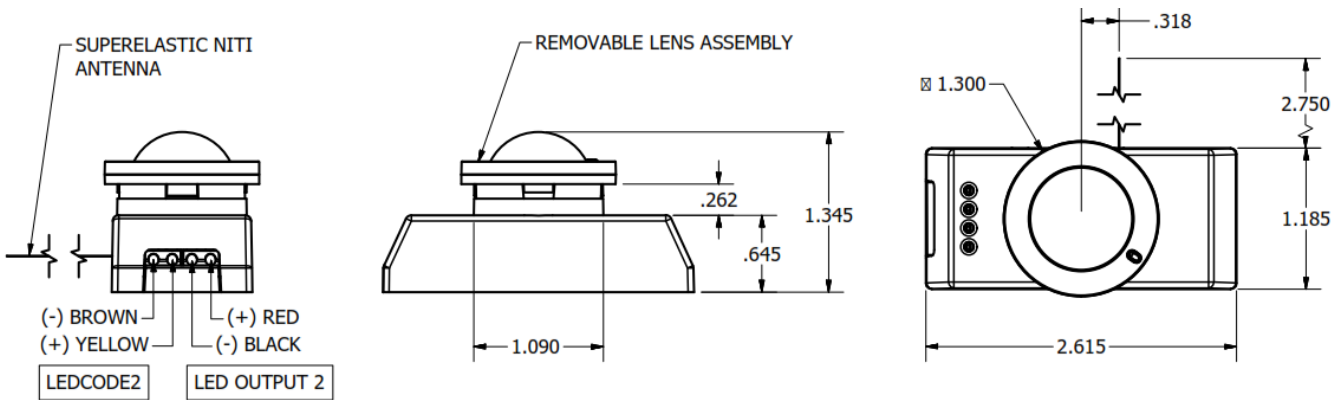


Lithonia Lighting WL



Peerless Bruno

DIMENSIONS



ILLUMINACION
Distribuidor Autorizado

RES7
3 of 3