

.....Dialight

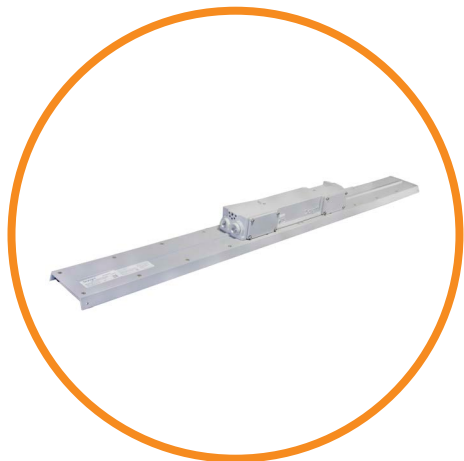


Dialight® LED Linear

Technical Specification Sheet - UL

Vigilant® LED Linear

Low Profile - 10 year warranty

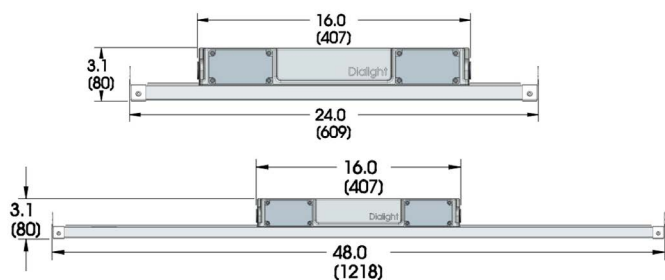


Certifications & Ratings

- UL 1598/A¹
- CSA C22.2 No. 250¹
- IP66/67
- NEMA 4X
- 2000 PSI hose-down rating²
- DLC Premium & Standard

¹ETL listed

²Internally tested



Dimensions in inches [mm]

Mechanical Information:

Fixture weight:	4' - 11 lb (5.0 kg) 2' - 8 lb (3.6 kg)
Shipping weight:	4' - 12 lb (5.4 kg) 2' - 9 lb (4.1 kg)
Mounting:	(4) 3/4" NPT openings Optional swivel bracket - LPXW4 Optional low profile bracket - LPXW4LP

Variable Dimming:

Variable dimming control:	0-10 VDC
Dimming range:	10 VDC = 100% light output 0 VDC = 5% light output

Electrical Specifications:

Operating voltage:	100-277 VAC, 50/60Hz 120-250 VDC
Power consumption:	See ordering information
Operating temp:	-40°F to +149°F (-40°C to +65°C)
EMC:	FCC Title 47, Subpart B, Section 15, Class A device. RF Immunity; 10V/m, 80MHz-1GHz
Surge protection:	EN 61000-4-5 6 kV line-to-line 6 kV line-to-ground
Harmonics:	IEC 61000-3-2 Class C ATHD<20%
Power factor:	> 0.9

Construction:

Finish:	Superior dual coat finish - Sealed polyester topcoat - Chemical resistant epoxy primer
----------------	--

Lens:	Polycarbonate
--------------	---------------

Photometric Information:

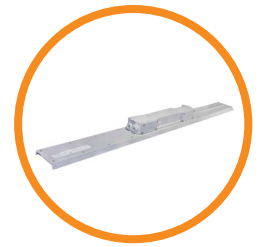
CRI:	80
CCT:	5000K (cool white) 4000K (neutral white)
IES files:	Available at www.dialight.com

All values typical unless otherwise stated (tolerance +/- 10%)

WARNING - INSTALLATION & SECONDARY RETENTION. Use of any Dialight products without proper installation (including secondary retention / netting) and periodic inspections could cause severe injury or death. Dialight recommends that all installations should use secondary retention / netting (appropriate to the installation environment) where applicable. It is the exclusive responsibility of the contractor, installer and/or end-user to: (a) determine the suitability of the product for its intended application; and, (b) ensure that the product is safely installed (with secondary retention / netting where appropriate) and in compliance with all applicable laws and regulations. To the extent permissible under applicable laws, Dialight disclaims all liability for personal injury and/or other damage resulting from any dislodgment or other dislocation of its products.

Ordering Information

Vigilant® LED Linear - Low Profile - 10 year warranty



Part Number (x = CCT placeholder)	Length	CRI	Wattage	Fixture Lumens		lm/W		Voltage	Lens	Beam Distribution
				5000K	4000K	5000K	4000K			
LKUL-4M(x)2-9DNN-NGNLX	4'	80	70	9,600	9,300	137	132	100-277 VAC / 120-250 VDC	Clear Polycarbonate	Medium
LKUL-5M(x)2-9DNN-NGNLX	4'	80	70	8,800	8,500	125	121	100-277 VAC / 120-250 VDC	Diffused Polycarbonate	Medium
LKUL-4W(x)2-9DNN-NGNLX	4'	80	70	9,600	9,300	137	132	100-277 VAC / 120-250 VDC	Clear Polycarbonate	Wide
LKUL-4M(x)2-7DNN-NGNLX	4'	80	52	7,250	6,950	139	134	100-277 VAC / 120-250 VDC	Clear Polycarbonate	Medium
LKUL-5M(x)2-7DNN-NGNLX	4'	80	52	6,550	6,250	126	120	100-277 VAC / 120-250 VDC	Diffused Polycarbonate	Medium
LKUL-4W(x)2-7DNN-NGNLX	4'	80	52	7,250	6,950	139	134	100-277 VAC / 120-250 VDC	Clear Polycarbonate	Wide
LJUL-4M(x)2-5DNN-NGNLX	2'	80	37	4,750	4,500	128	122	100-277 VAC / 120-250 VDC	Clear Polycarbonate	Medium
LJUL-5M(x)2-5DNN-NGNLX	2'	80	37	4,450	4,200	120	114	100-277 VAC / 120-250 VDC	Diffused Polycarbonate	Medium
LJUL-4W(x)2-5DNN-NGNLX	2'	80	37	4,750	4,500	128	122	100-277 VAC / 120-250 VDC	Clear Polycarbonate	Wide

All values typical unless otherwise stated (tolerance +/- 10%)
 CCT placeholders - C=5000K (cool white), N= 4000K (neutral white)
 For additional ordering options, please consult factory.

DISCLAIMER. All product information provided is, to the best of Dialight's knowledge, accurate as of the date of publication. When ordering, refer to www.dialight.com for current versions of: (a) relevant product documentation (including the relevant product data sheets); (b) Dialight terms and conditions of sale; and, (c) the relevant product warranty. To the extent that any contract is deemed formed between Dialight and the purchaser of Dialight products and/or an end-user, versions of documents available at www.dialight.com as at the date of sale shall be the versions incorporated therein. In the event of any discrepancy between this document or information provided at www.dialight.com, the latter shall prevail.

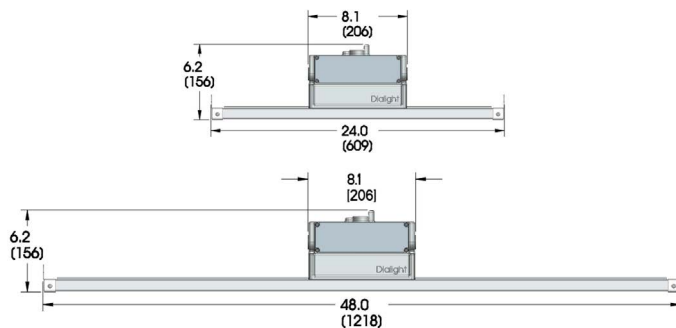
Vigilant® LED Linear Top Conduit - 10 year warranty



Certifications & Ratings

- UL 1598/A¹
- CSA C22.2 No. 250¹
- IP66/67
- NEMA 4X
- 2000 PSI hose-down rating²
- DLC Premium & Standard

¹ETL listed
²Internally tested



Dimensions in inches [mm]

Mechanical Information:

Fixture weight:	4' - 11 lb (5.0 kg) 2' - 8 lb (3.6 kg)
Shipping weight:	4' - 12 lb (5.4 kg) 2' - 9 lb (4.1 kg)
Mounting:	(4) 3/4" NPT openings Optional swivel bracket - LTXW4 Optional low profile bracket - LTXW4LP

Variable Dimming:

Variable dimming control:	0-10 VDC
Dimming range:	10 VDC = 100% light output 0 VDC = 5% light output

Electrical Specifications:

Operating voltage:	100-277 VAC, 50/60Hz 120-250 VDC
Power consumption:	See ordering information
Operating temp:	-40°F to +149°F (-40°C to +65°C)
EMC:	FCC Title 47, Subpart B, Section 15, Class A device. RF Immunity; 10V/m, 80MHz-1GHz
Surge protection:	EN 61000-4-5 6 kV line-to-line 6 kV line-to-ground
Harmonics:	IEC 61000-3-2 Class C ATHD<20%
Power factor:	> 0.9

Construction:

Finish:	Superior dual coat finish - Sealed polyester topcoat - Chemical resistant epoxy primer
----------------	--

Lens:	Polycarbonate
--------------	---------------

Photometric Information:

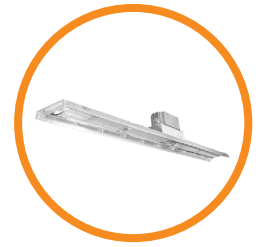
CRI:	80
CCT:	5000K (cool white) 4000K (neutral white)
IES files:	Available at www.dialight.com

All values typical unless otherwise stated (tolerance +/- 10%)

WARNING - INSTALLATION & SECONDARY RETENTION. Use of any Dialight products without proper installation (including secondary retention / netting) and periodic inspections could cause severe injury or death. Dialight recommends that all installations should use secondary retention / netting (appropriate to the installation environment) where applicable. It is the exclusive responsibility of the contractor, installer and/or end-user to: (a) determine the suitability of the product for its intended application; and, (b) ensure that the product is safely installed (with secondary retention / netting where appropriate) and in compliance with all applicable laws and regulations. To the extent permissible under applicable laws, Dialight disclaims all liability for personal injury and/or other damage resulting from any dislodgment or other dislocation of its products.

Ordering Information

Vigilant® LED Linear - Top Conduit - 10 year warranty



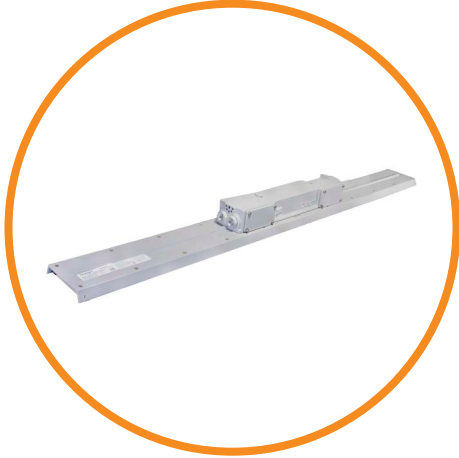
Part Number (x = CCT placeholder)	Length	CRI	Wattage	Fixture Lumens		lm/W		Voltage	Lens	Beam Distribution
				5000K	4000K	5000K	4000K			
LHUL-4M(x)2-9DNN-NGNLX	4'	80	70	9,600	9,300	137	132	100-277 VAC / 120-250 VDC	Clear Polycarbonate	Medium
LHUL-5M(x)2-9DNN-NGNLX	4'	80	70	8,800	8,500	125	121	100-277 VAC / 120-250 VDC	Diffused Polycarbonate	Medium
LHUL-4W(x)2-9DNN-NGNLX	4'	80	70	9,600	9,300	137	132	100-277 VAC / 120-250 VDC	Clear Polycarbonate	Wide
LHUL-4M(x)2-7DNN-NGNLX	4'	80	52	7,250	6,950	139	134	100-277 VAC / 120-250 VDC	Clear Polycarbonate	Medium
LHUL-5M(x)2-7DNN-NGNLX	4'	80	52	6,550	6,250	126	120	100-277 VAC / 120-250 VDC	Diffused Polycarbonate	Medium
LHUL-4W(x)2-7DNN-NGNLX	4'	80	52	7,250	6,950	139	134	100-277 VAC / 120-250 VDC	Clear Polycarbonate	Wide
LGUL-4M(x)2-5DNN-NGNLX	2'	80	37	4,750	4,500	128	122	100-277 VAC / 120-250 VDC	Clear Polycarbonate	Medium
LGUL-5M(x)2-5DNN-NGNLX	2'	80	37	4,450	4,200	120	114	100-277 VAC / 120-250 VDC	Diffused Polycarbonate	Medium
LGUL-4W(x)2-5DNN-NGNLX	2'	80	37	4,750	4,500	128	122	100-277 VAC / 120-250 VDC	Clear Polycarbonate	Wide

All values typical unless otherwise stated (tolerance +/- 10%)
 CCT placeholders - C=5000K (cool white), N= 4000K (neutral white)
 For additional ordering options, please consult factory.

DISCLAIMER. All product information provided is, to the best of Dialight's knowledge, accurate as of the date of publication. When ordering, refer to www.dialight.com for current versions of: (a) relevant product documentation (including the relevant product data sheets); (b) Dialight terms and conditions of sale; and, (c) the relevant product warranty. To the extent that any contract is deemed formed between Dialight and the purchaser of Dialight products and/or an end-user, versions of documents available at www.dialight.com as at the date of sale shall be the versions incorporated therein. In the event of any discrepancy between this document or information provided at www.dialight.com, the latter shall prevail.

SafeSite® LED Linear - UL 844

Low Profile - Class I, Div. 2 / Class II - 10 year warranty

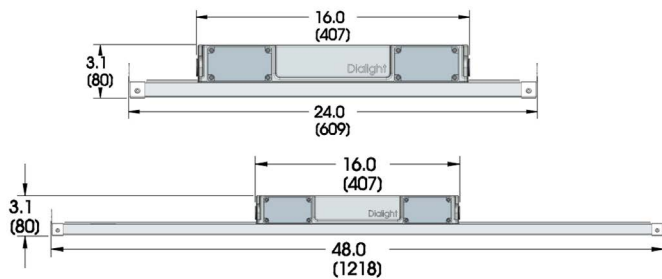


Certifications & Ratings

- UL 1598/A¹
- UL 844¹
- CSA C22.2 No. 137¹
- CSA C22.2 No. 250¹
- IP66 / 67
- Class I, Div. 2 Groups A, B, C & D
- Class I, Zone 2 Group IIC
- Class II, Div. 1 Groups E, F & G
- Class II, Div. 2 Groups F & G
- Class III
- NEMA 4X
- 2000 PSI hose-down rating²
- DLC Premium & Standard

¹ETL listed

²Internally tested



Dimensions in inches [mm]

Temperature Ratings

Ambient Temperature Range T4A Temperature Code	Ambient Temperature Range T5 Temperature Code
-40°F to +149°F (-40°C to +65°C)	-40°F to +113°F (-40°C to +45°C)

Mechanical Information:

- Fixture weight:** 4' - 11 lb (5.0 kg)
2' - 8 lb (3.6 kg)
- Shipping weight:** 4' - 12 lb (5.4 kg)
2' - 9 lb (4.1 kg)
- Mounting:** (4) 3/4" NPT openings
Optional swivel bracket - LPXW4
Optional low profile bracket - LPXW4LP

Variable Dimming:

- Variable dimming control:** 0-10 VDC
- Dimming range:** 10 VDC = 100% light output
0 VDC = 5% light output

Electrical Specifications:

- Operating voltage:** 100-277 VAC, 50/60Hz
120-250 VDC
- Power consumption:** See ordering information
- Operating temp:** -40°F to +149°F (-40°C to +65°C)
- EMC:** FCC Title 47, Subpart B, Section 15,
Class A device. RF Immunity; 10V/m,
80MHz-1GHz
- Surge protection:** EN 61000-4-5
6 kV line-to-line
6 kV line-to-ground
- Harmonics:** IEC 61000-3-2 Class C
ATHD<20%
- Power factor:** > 0.9

Construction:

- Finish:** Superior dual coat finish
- Sealed polyester topcoat
- Chemical resistant epoxy primer
- Lens:** Polycarbonate

Photometric Information:

- CRI:** 80
- CCT:** 5000K (cool white)
4000K (neutral white)
- IES files:** Available at www.dialight.com

All values typical unless otherwise stated (tolerance +/- 10%)

WARNING - INSTALLATION & SECONDARY RETENTION. Use of any Dialight products without proper installation (including secondary retention / netting) and periodic inspections could cause severe injury or death. Dialight recommends that all installations should use secondary retention / netting (appropriate to the installation environment) where applicable. It is the exclusive responsibility of the contractor, installer and/or end-user to: (a) determine the suitability of the product for its intended application; and, (b) ensure that the product is safely installed (with secondary retention / netting where appropriate) and in compliance with all applicable laws and regulations. To the extent permissible under applicable laws, Dialight disclaims all liability for personal injury and/or other damage resulting from any dislodgment or other dislocation of its products.

Ordering Information

SafeSite® LED Linear - Low Profile - UL 844 - 10 year warranty



Classifications: CID2 A, B, C, D • CIID1 E, F, G • CIID2 F, G • CIII

Part Number (x = CCT placeholder)	Length	CRI	Wattage	Fixture Lumens		lm/W		Voltage	Lens	Beam Distribution
				5000K	4000K	5000K	4000K			
Class I, Div. 2 Models										
LKD-4M(x)2-9DNN-NGNLX	4'	80	70	9,600	9,300	137	132	100-277 VAC / 120-250 VDC	Clear Polycarbonate	Medium
LKD-5M(x)2-9DNN-NGNLX	4'	80	70	8,800	8,500	125	121	100-277 VAC / 120-250 VDC	Diffused Polycarbonate	Medium
LKD-4W(x)2-9DNN-NGNLX	4'	80	70	9,600	9,300	137	132	100-277 VAC / 120-250 VDC	Clear Polycarbonate	Wide
LKD-4M(x)2-7DNN-NGNLX	4'	80	52	7,250	6,950	139	134	100-277 VAC / 120-250 VDC	Clear Polycarbonate	Medium
LKD-5M(x)2-7DNN-NGNLX	4'	80	52	6,550	6,250	126	120	100-277 VAC / 120-250 VDC	Diffused Polycarbonate	Medium
LKD-4W(x)2-7DNN-NGNLX	4'	80	52	7,250	6,950	139	134	100-277 VAC / 120-250 VDC	Clear Polycarbonate	Wide
LJD-4M(x)2-5DNN-NGNLX	2'	80	37	4,750	4,500	128	122	100-277 VAC / 120-250 VDC	Clear Polycarbonate	Medium
LJD-5M(x)2-5DNN-NGNLX	2'	80	37	4,450	4,200	120	114	100-277 VAC / 120-250 VDC	Diffused Polycarbonate	Medium
LJD-4W(x)2-5DNN-NGNLX	2'	80	37	4,750	4,500	128	122	100-277 VAC / 120-250 VDC	Clear Polycarbonate	Wide
Class II, Div. 1 Models										
LKF-4M(x)2-9DNN-NGNLX	4'	80	70	9,600	9,300	137	132	100-277 VAC / 120-250 VDC	Clear Polycarbonate	Medium
LKF-5M(x)2-9DNN-NGNLX	4'	80	70	8,800	8,500	125	121	100-277 VAC / 120-250 VDC	Diffused Polycarbonate	Medium
LKF-4W(x)2-9DNN-NGNLX	4'	80	70	9,600	9,300	137	132	100-277 VAC / 120-250 VDC	Clear Polycarbonate	Wide
LKF-4M(x)2-7DNN-NGNLX	4'	80	52	7,250	6,950	139	134	100-277 VAC / 120-250 VDC	Clear Polycarbonate	Medium
LKF-5M(x)2-7DNN-NGNLX	4'	80	52	6,550	6,250	126	120	100-277 VAC / 120-250 VDC	Diffused Polycarbonate	Medium
LKF-4W(x)2-7DNN-NGNLX	4'	80	52	7,250	6,950	139	134	100-277 VAC / 120-250 VDC	Clear Polycarbonate	Wide
LJF-4M(x)2-5DNN-NGNLX	2'	80	37	4,750	4,500	128	122	100-277 VAC / 120-250 VDC	Clear Polycarbonate	Medium
LJF-5M(x)2-5DNN-NGNLX	2'	80	37	4,450	4,200	120	114	100-277 VAC / 120-250 VDC	Diffused Polycarbonate	Medium
LJF-4W(x)2-5DNN-NGNLX	2'	80	37	4,750	4,500	128	122	100-277 VAC / 120-250 VDC	Clear Polycarbonate	Wide

All values typical unless otherwise stated (tolerance +/- 10%)
 CCT placeholders - C=5000K (cool white), N= 4000K (neutral white)
 For additional ordering options, please consult factory.

DISCLAIMER. All product information provided is, to the best of Dialight's knowledge, accurate as of the date of publication. When ordering, refer to www.dialight.com for current versions of: (a) relevant product documentation (including the relevant product data sheets); (b) Dialight terms and conditions of sale; and, (c) the relevant product warranty. To the extent that any contract is deemed formed between Dialight and the purchaser of Dialight products and/or an end-user, versions of documents available at www.dialight.com as at the date of sale shall be the versions incorporated therein. In the event of any discrepancy between this document or information provided at www.dialight.com, the latter shall prevail.

SafeSite® LED Linear - UL 844

Top Conduit - Class I, Div. 2 / Class II - 10 year warranty

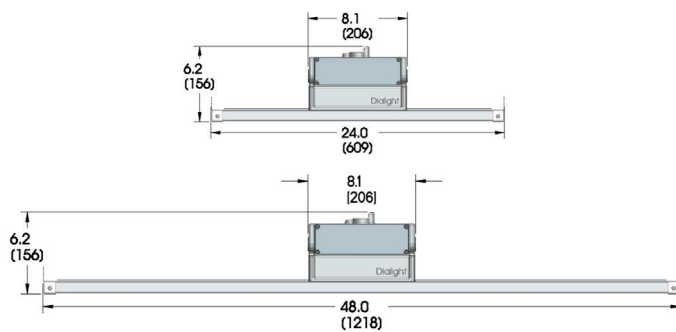


Certifications & Ratings

- UL 1598/A¹
- UL 844¹
- CSA C22.2 No. 137¹
- CSA C22.2 No. 250¹
- IP66
- Class I, Div. 2 Groups A, B, C & D
- Class I, Zone 2 Group IIC
- Class II, Div. 1 Groups E, F & G
- Class II, Div. 2 Groups F & G
- Class III
- NEMA 4X
- 2000 PSI hose-down rating²
- DLC Premium & Standard

¹ETL listed

²Internally tested



Dimensions in inches [mm]

Temperature Ratings

Ambient Temperature Range T4A Temperature Code	Ambient Temperature Range T5 Temperature Code
-40°F to +149°F (-40°C to +65°C)	-40°F to +113°F (-40°C to +45°C)

Mechanical Information:

- Fixture weight:** 4' - 11 lb (5.0 kg)
2' - 8 lb (3.6 kg)
- Shipping weight:** 4' - 12 lb (5.4 kg)
2' - 9 lb (4.1 kg)
- Mounting:** (4) 3/4" NPT openings
Optional swivel bracket - LTXW4
Optional low profile bracket - LTXW4LP

Variable Dimming:

- Variable dimming control:** 0-10 VDC
- Dimming range:** 10 VDC = 100% light output
0 VDC = 5% light output

Electrical Specifications:

- Operating voltage:** 100-277 VAC, 50/60Hz
120-250 VDC
- Power consumption:** See ordering information
- Operating temp:** -40°F to +149°F (-40°C to +65°C)
- EMC:** FCC Title 47, Subpart B, Section 15, Class A device. RF Immunity; 10V/m, 80MHz-1GHz
- Surge protection:** EN 61000-4-5
6 kV line-to-line
6 kV line-to-ground
- Harmonics:** IEC 61000-3-2 Class C
ATHD<20%
- Power factor:** > 0.9

Construction:

- Finish:** Superior dual coat finish
- Sealed polyester topcoat
- Chemical resistant epoxy primer
- Lens:** Polycarbonate

Photometric Information:

- CRI:** 80
- CCT:** 5000K (cool white)
4000K (neutral white)
- IES files:** Available at www.dialight.com

All values typical unless otherwise stated (tolerance +/- 10%)

WARNING - INSTALLATION & SECONDARY RETENTION. Use of any Dialight products without proper installation (including secondary retention / netting) and periodic inspections could cause severe injury or death. Dialight recommends that all installations should use secondary retention / netting (appropriate to the installation environment) where applicable. It is the exclusive responsibility of the contractor, installer and/or end-user to: (a) determine the suitability of the product for its intended application; and, (b) ensure that the product is safely installed (with secondary retention / netting where appropriate) and in compliance with all applicable laws and regulations. To the extent permissible under applicable laws, Dialight disclaims all liability for personal injury and/or other damage resulting from any dislodgment or other dislocation of its products.

Ordering Information

SafeSite® LED Linear - Top Conduit - UL 844 - 10 year warranty



Classifications: CID2 A, B, C, D • CIID1 E, F, G • CIID2 F, G • CIII

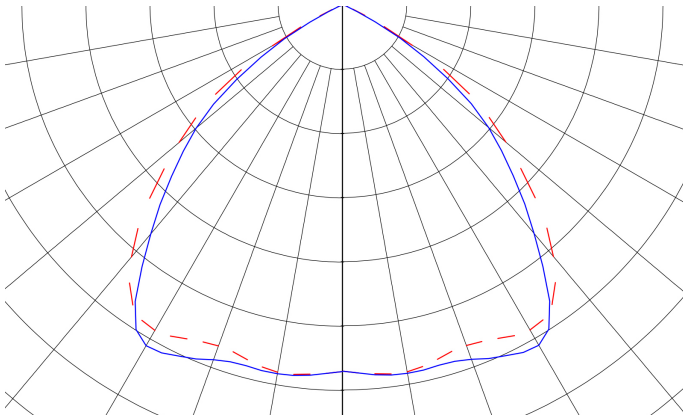
Part Number (x = CCT placeholder)	Length	CRI	Wattage	Fixture Lumens		lm/W		Voltage	Lens	Beam Distribution
				5000K	4000K	5000K	4000K			
Class I, Div. 2 Models										
LHD-4M(x)2-9DNN-NGNLX	4'	80	70	9,600	9,300	137	132	100-277 VAC / 120-250 VDC	Clear Polycarbonate	Medium
LHD-5M(x)2-9DNN-NGNLX	4'	80	70	8,800	8,500	125	121	100-277 VAC / 120-250 VDC	Diffused Polycarbonate	Medium
LHD-4W(x)2-9DNN-NGNLX	4'	80	70	9,600	9,300	137	132	100-277 VAC / 120-250 VDC	Clear Polycarbonate	Wide
LHD-4M(x)2-7DNN-NGNLX	4'	80	52	7,250	6,950	139	134	100-277 VAC / 120-250 VDC	Clear Polycarbonate	Medium
LHD-5M(x)2-7DNN-NGNLX	4'	80	52	6,550	6,250	126	120	100-277 VAC / 120-250 VDC	Diffused Polycarbonate	Medium
LHD-4W(x)2-7DNN-NGNLX	4'	80	52	7,250	6,950	139	134	100-277 VAC / 120-250 VDC	Clear Polycarbonate	Wide
LGD-4M(x)2-5DNN-NGNLX	2'	80	37	4,750	4,500	128	122	100-277 VAC / 120-250 VDC	Clear Polycarbonate	Medium
LGD-5M(x)2-5DNN-NGNLX	2'	80	37	4,450	4,200	120	114	100-277 VAC / 120-250 VDC	Diffused Polycarbonate	Medium
LGD-4W(x)2-5DNN-NGNLX	2'	80	37	4,750	4,500	128	122	100-277 VAC / 120-250 VDC	Clear Polycarbonate	Wide
Class II, Div. 1 Models										
LHF-4M(x)2-9DNN-NGNLX	4'	80	70	9,600	9,300	137	132	100-277 VAC / 120-250 VDC	Clear Polycarbonate	Medium
LHF-5M(x)2-9DNN-NGNLX	4'	80	70	8,800	8,500	125	121	100-277 VAC / 120-250 VDC	Diffused Polycarbonate	Medium
LHF-4W(x)2-9DNN-NGNLX	4'	80	70	9,600	9,300	137	132	100-277 VAC / 120-250 VDC	Clear Polycarbonate	Wide
LHF-4M(x)2-7DNN-NGNLX	4'	80	52	7,250	6,950	139	134	100-277 VAC / 120-250 VDC	Clear Polycarbonate	Medium
LHF-5M(x)2-7DNN-NGNLX	4'	80	52	6,550	6,250	126	120	100-277 VAC / 120-250 VDC	Diffused Polycarbonate	Medium
LHF-4W(x)2-7DNN-NGNLX	4'	80	52	7,250	6,950	139	134	100-277 VAC / 120-250 VDC	Clear Polycarbonate	Wide
LGF-4M(x)2-5DNN-NGNLX	2'	80	37	4,750	4,500	128	122	100-277 VAC / 120-250 VDC	Clear Polycarbonate	Medium
LGF-5M(x)2-5DNN-NGNLX	2'	80	37	4,450	4,200	120	114	100-277 VAC / 120-250 VDC	Diffused Polycarbonate	Medium
LGF-4W(x)2-5DNN-NGNLX	2'	80	37	4,750	4,500	128	122	100-277 VAC / 120-250 VDC	Clear Polycarbonate	Wide

All values typical unless otherwise stated (tolerance +/- 10%)
 CCT placeholders - C=5000K (cool white), N= 4000K (neutral white)
 For additional ordering options, please consult factory.

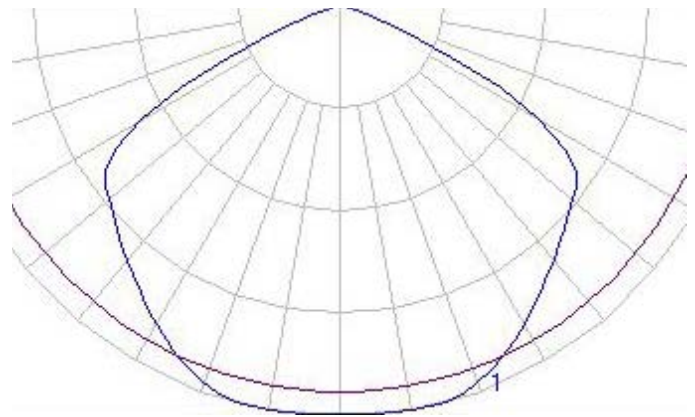
DISCLAIMER. All product information provided is, to the best of Dialight's knowledge, accurate as of the date of publication. When ordering, refer to www.dialight.com for current versions of: (a) relevant product documentation (including the relevant product data sheets); (b) Dialight terms and conditions of sale; and, (c) the relevant product warranty. To the extent that any contract is deemed formed between Dialight and the purchaser of Dialight products and/or an end-user, versions of documents available at www.dialight.com as at the date of sale shall be the versions incorporated therein. In the event of any discrepancy between this document or information provided at www.dialight.com, the latter shall prevail.

Beam Distribution

Medium



Wide



In Rush Currents

Lumen Family	Wattage	In rush current @ input voltage			Time duration of in rush current @ input voltage		
		120 VAC	230 VAC	277 VAC	120 VAC	230 VAC	277 VAC
9K+	71	8A	15A	18A	1ms	1ms	1ms
7K+	52	8A	15A	18A	1ms	1ms	1ms
4.5K+	38	8A	15A	18A	1ms	1ms	1ms
2.5K+	24	8A	15A	18A	1ms	1ms	1ms

DISCLAIMER. All product information provided is, to the best of Dialight's knowledge, accurate as of the date of publication. When ordering, refer to www.dialight.com for current versions of: (a) relevant product documentation (including the relevant product data sheets); (b) Dialight terms and conditions of sale; and, (c) the relevant product warranty. To the extent that any contract is deemed formed between Dialight and the purchaser of Dialight products and/or an end-user, versions of documents available at www.dialight.com as at the date of sale shall be the versions incorporated therein. In the event of any discrepancy between this document or information provided at www.dialight.com, the latter shall prevail.

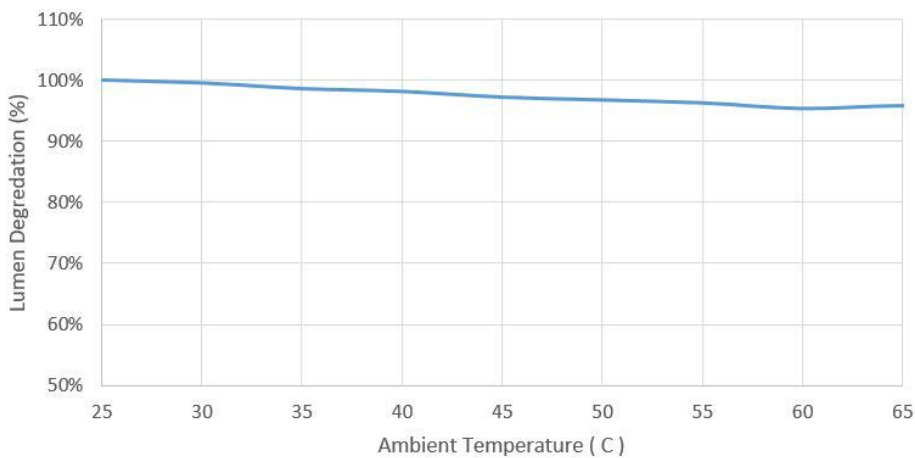
Lumen Maintenance Factor

Lumen Maintenance Factor									
Time (Hours)									
Ambient (°C)	0	15000	30000	45000	60000	75000	90000	100000	150000
25°	100	98	96	95	94	92	91	90	86
30°	100	97	96	95	93	92	91	90	86
35°	99	96	95	94	92	91	90	89	85
40°	98	96	95	93	92	91	89	89	84
45°	97	95	94	92	91	90	89	88	84
50°	97	94	93	92	91	89	88	87	83
55°	96	94	93	91	90	89	88	87	83
60°	95	93	92	91	89	88	87	86	82
65°	96	94	92	91	90	88	87	86	82

Measured LED temperature for an ambient temperature range of 25°C to 65°C and calculated lumen maintenance using TM-21 calculator and LED LM80 data.

Thermal Roll-Off

Thermal Roll-off 9000lm



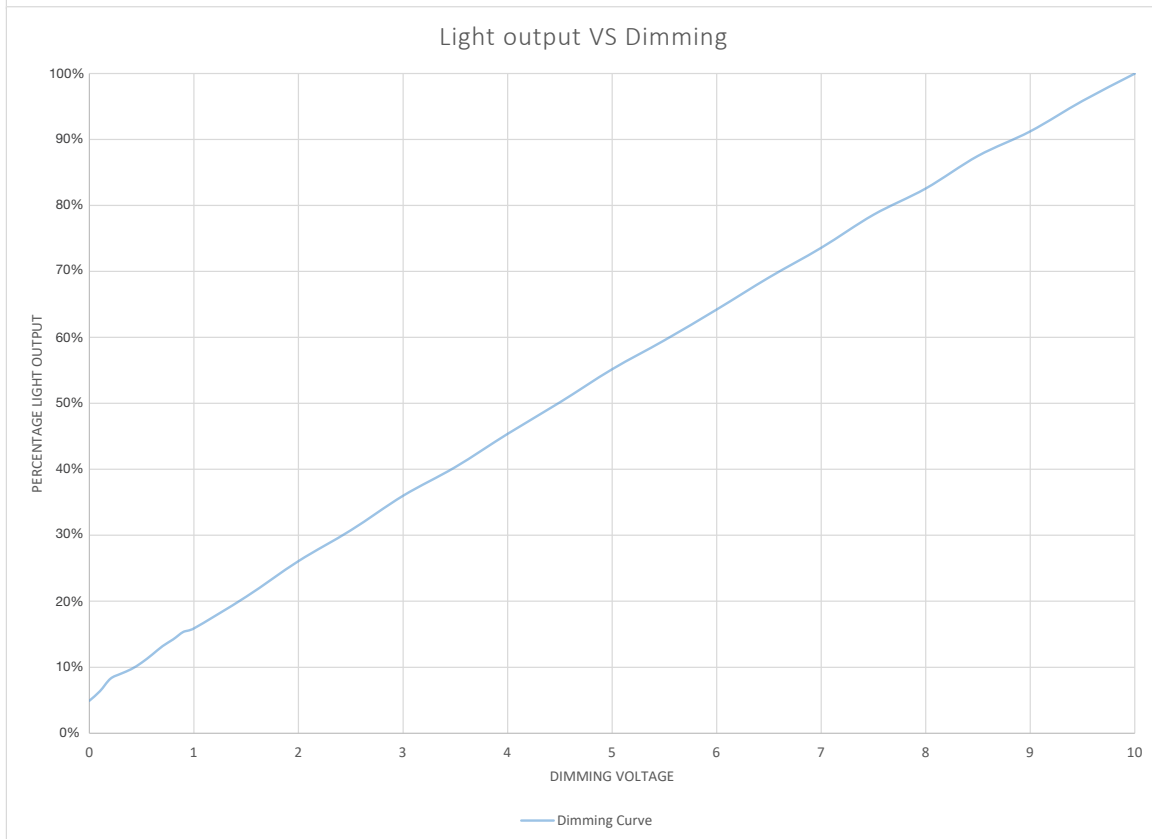
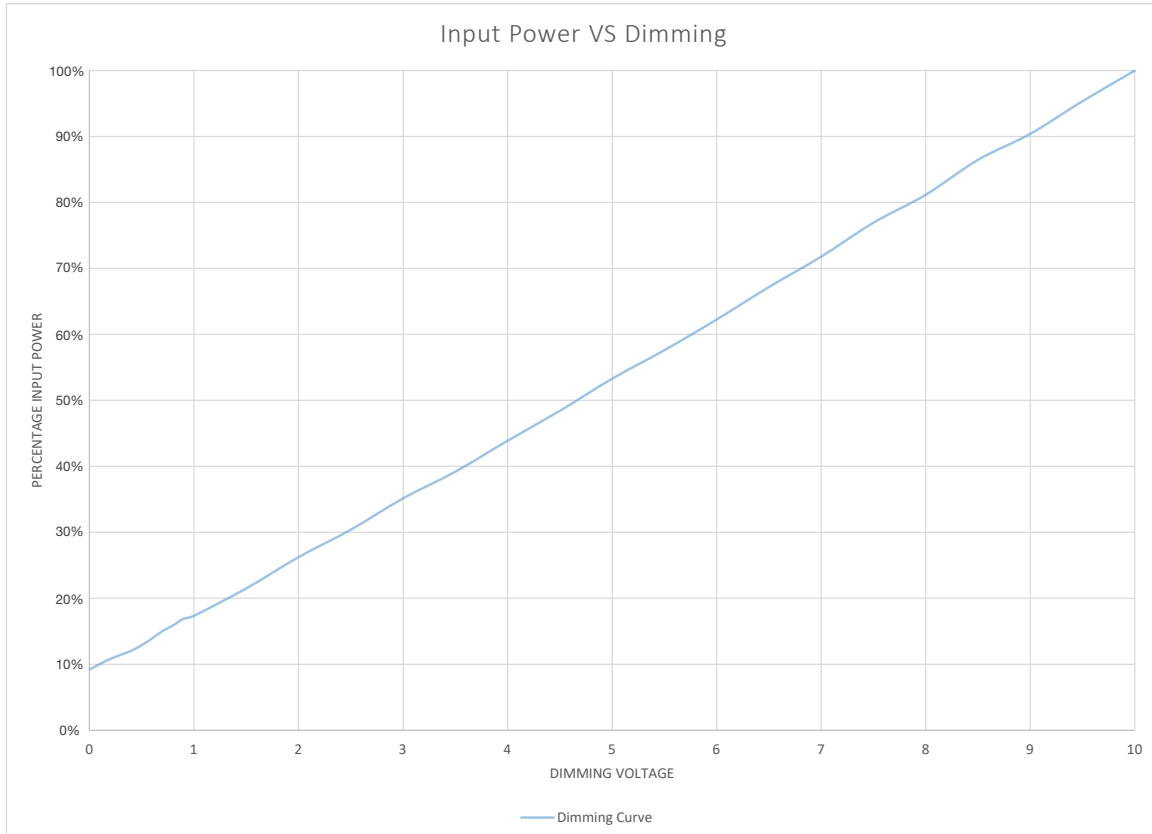
Ambient Temperature (°C)	Lumen Degradation
25°	100%
30°	100%
35°	99%
40°	98%
45°	97%
50°	97%
55°	96%
60°	95%
65°	96%

All values typical unless otherwise stated (tolerance +/- 10%)

DISCLAIMER. All product information provided is, to the best of Dialight's knowledge, accurate as of the date of publication. When ordering, refer to www.dialight.com for current versions of: (a) relevant product documentation (including the relevant product data sheets); (b) Dialight terms and conditions of sale; and, (c) the relevant product warranty. To the extent that any contract is deemed formed between Dialight and the purchaser of Dialight products and/or an end-user, versions of documents available at www.dialight.com as at the date of sale shall be the versions incorporated therein. In the event of any discrepancy between this document or information provided at www.dialight.com, the latter shall prevail.

Dimming

Dimming Characterization 0-10V



DISCLAIMER. All product information provided is, to the best of Dialight's knowledge, accurate as of the date of publication. When ordering, refer to www.dialight.com for current versions of: (a) relevant product documentation (including the relevant product data sheets); (b) Dialight terms and conditions of sale; and, (c) the relevant product warranty. To the extent that any contract is deemed formed between Dialight and the purchaser of Dialight products and/or an end-user, versions of documents available at www.dialight.com as at the date of sale shall be the versions incorporated therein. In the event of any discrepancy between this document or information provided at www.dialight.com, the latter shall prevail.

Mounting Accessories

Low Profile Models



LPXW4LP

- 316 Stainless steel low profile mounting bracket
- Can be angled at 0° and 15°



LPXW4

- 316 Stainless steel mounting bracket
- Can be angled at 0°, 30°, 45°, 60° & 90°



LTXSAFEKIT

- Safety cable kit for secondary retention



LTXENDCAPKIT

- 316 Stainless steel chain mount and secondary retention bracket

Top Conduit Models



LTXW4SS

- 316 Stainless steel mounting bracket
- Can be angled at 0°, 30°, 45°, 60° and 90°

LTXW4

- Powder coated aluminum mounting bracket
- Can be angled at 0°, 30°, 45°, 60° and 90°



LTXW4LPSS

- 316 Stainless steel mounting bracket
- Can be angled at 0° and 15°

LTXW4LP

- Powder coated aluminum mounting bracket
- Can be angled at 0° and 15°



LTXSAFEKIT

- Safety cable kit for secondary retention



LTXENDCAPKIT

- 316 Stainless steel chain mount and secondary retention bracket

North American HQ

1501 Route 34 South
Farmingdale, NJ 07727
Tel: 732-919-3119
Fax: 732-751-5778
info@dialight.com

EMEA Technical Centre

Ejby Industrivej 91 B
2600 Glostrup
Tel: +45 8877 4545 (Denmark)
Tel: +44 1638 666541 (UK)
Tel: +49 89 12089 5713 (Germany)
Tel: +33 3 23 22 62 58 (France)
sales-europe@dialight.com

Houston

16830 Barker Springs Rd
Ste 407
Houston, TX 77084
Tel: 732-919-3119
Faz: 281-492-1531
info@dialight.com

Middle East

205, Clover Bay Tower,
Al Abraj Street, Business Bay
P.O. BOX 123997 Dubai, U.A.E
Office Phone: +971 4 818 31 56

Australia

108 Howe Street
Osborne Park, WA 6017
Tel: +61 (0) 8 9244 7600
Fax: +61 (0) 8 9244 7601
info@dialight.com.au

Southeast Asia

33 Ubi Avenue 3
#07-72 Vertex (Tower A)
Singapore 408868
Tel: +65 6578 7157
Fax: +65 6578 7150
enquiry@dialight.com.sg

Brazil

Alameda Mercurio,
225 – American Park Empresarial NR
Indaiatuba – SP – 13347– 662
Tel: +55 (19) 3113-4300
Fax: +55 (19) 3113-4300
brasil@dialight.com



DISTRIBUIDOR AUTORIZADO:

L&A ILUMINACION S.A DE C.V.

www.lyailuminacion.com.mx; Email: lya@lyailuminacion.com.mx
Tel: CdMx: 55+5363 4861 / 8381; Tequisquiapan: 414 273 0605.



operation by knowledgeable persons trained in the functional assessment, installation, use and maintenance of such products and all customers (including but not limited to end customers) are responsible for assessing the suitability of Dialight products for any given installation requirement. It is the exclusive responsibility of the contractor, installer and/or end-user to: (a) determine the suitability of the product for its intended application; and, (b) ensure that the product is safely installed (with secondary retention / netting as appropriate) and in compliance with all applicable laws and regulations.
Product specifications & warranties. All product information provided is, to the best of Dialight's knowledge, accurate as of the date of publication. All values and performance data herein are design or typical values when measured under laboratory conditions. The information herein is subject to change without notice. The products / software detailed herein are subject to applicable warranties and terms and conditions of use/purchase. Unless agreed otherwise in writing by an authorized representative of Dialight, Dialight does not represent that its products are fit for any particular purpose and accepts no liability for the installation and/or unauthorised use of its products. When ordering, refer to www.dialight.com for current versions of: (a) relevant product documentation (including relevant product data sheets); (b) Dialight terms and conditions of sale; and, (c) the relevant product warranties. To the extent that any contract is deemed formed between Dialight and the purchaser of Dialight products and/or an end-user, versions of documents available at www.dialight.com as at the date of sale shall be the versions incorporated therein. In the event of any discrepancy between this document and information provided at www.dialight.com, the latter shall prevail.
Exclusion of liability. To the extent permissible under the relevant law, Dialight disclaims all liability for personal injury and/or other damage resulting from any dislodgment or other dislocation of its products. Whilst Dialight has used its reasonable endeavours to ensure the completeness and accuracy of information herein, Dialight does not assume any liability for damages resulting from use of this information or for any third-party representations made in relation to Dialight products.