

.....Dialight



SafeSite® LED Based Signaling
for Hazardous Locations



On when it matters most.

Products and solutions that protect your business





Features & Benefits

- 5 year full performance warranty
- Resistant to shock and vibration
- High impact polycarbonate lens, UV, scratch & chemical resistant lens coating
- Reduction in expensive tower climbs and maintenance costs/unplanned site visits
- Requires smaller gauge wire
- Smallest Flash Head in the Industry
- Community friendly lighting system

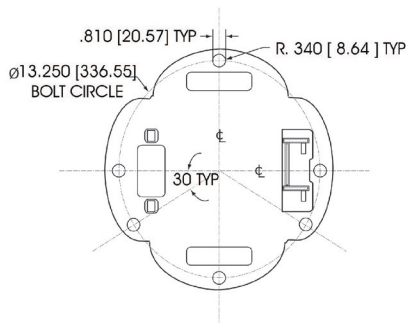
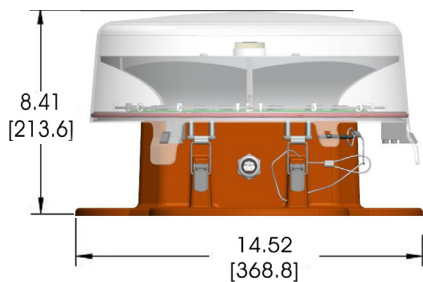
Dialight Timeline

- 1999** - First ever FAA certified LED L810
- 2001** - First ever FAA certified LED L864
- 2007** - First ever FAA certified LED L865 / L864
- 2011** - First ever FAA certified LED L856
- 2012** - First ever FAA certified LED L856 / L864

Dialight (LSE: DIA.L) is leading the energy efficient LED lighting revolution around the world for industrial and hazardous areas as well as transportation and infrastructure applications. For 40 years it has been committed to the development of LED lighting solutions that enable organizations to vastly reduce energy use and maintenance needs, improve safety, ease disposal and reduce CO2 emissions.

SafeSite® L-864 Red LED Beacon

Class I, Div 2 model



Certifications & Compliance

- FAA AC 150 / 5345-43G
- FAA EB No. 67D
- Class I, Div 2, Groups A, B, C, D
- UL1598
- UL844
- IP66
- NEMA 4X
- DGAC Mexico
- ICAO (Annex 14 - Fourth Edition, July 2004)
- Canadian aviation regulation CAR 621.9 (Transport Canada)

Features & Benefits

- ETL verified to FAA standards
- 5 year full performance warranty
- Uses 90% less energy than an incandescent
- Resistant to shock and vibration
- Drastically reduces maintenance costs
- Flash or steady burn

Mechanical Information:

- Fixture weight:** 20 lbs
- Operating Voltage:** 120 - 240V AC 50/60Hz power factor corrected supply
- Supply Voltage Ranges:** Nominal +/- 10%
- Effective Intensity:** Red Night 2,000 cd
- Wattage:** Red Night 20W (Steady Burn) 3.3W (16.7% duty cycle) 20 flashes per minute with 0.5 second on time
- Power Factor:** >0.9
- Operating Temp:** -40°F to +131°F (-40°C to +55°C)
- Synchronization:** Multiple unit sync from single controller (Operates with other manufacturers of GPS sync devices)

All values typical unless otherwise stated (tolerance +/- 10%)

US Patent # 7,281,821

Temperature Ratings

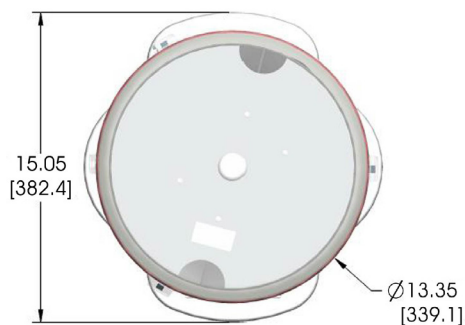
Ambient Temperature Range T4A

-40°F to +131°F (-40°C to +55°C)

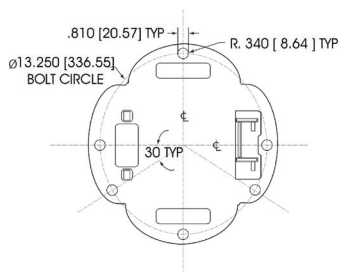
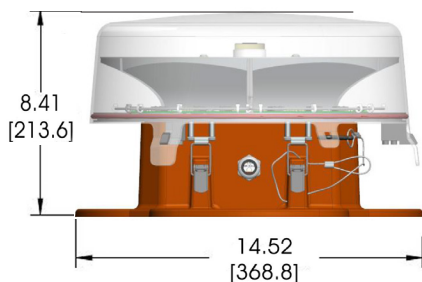
| Part Number | Description | Voltage | Certification / Compliance |
|----------------|------------------------|-------------|----------------------------|
| D564-B13-001LX | Class I, Div. 2 Beacon | 120-240V AC | FAA (TC) L-864 |

SafeSite® LED Based L-864 / L-865

Flashing Dual (White / Red) - Class I, Div. 2



Dimensions in inches [mm]



Certifications & Compliance

- FAA approved (Check FAA Website for current certification)
- Class I, Div 2, Groups A, B, C, D
- Class II, Div 2, Groups F, G
- UL1598
- UL8750
- CSA C22.2
- IP66
- ICAO Annex 14, July 2009
- ICAO Aerodromes Design Manual, Chapter 18
- Canadian Aviation Regulation CAR 621 (Transport Canada)

Mechanical / Electrical Information:

- Unit weight:** 26 lbs (11.8 kg)
- Operating voltage:** White - 150V DC (through Controller)
Red - 75V DC (through Controller)
- Effective intensity:** White Day - 20,000 cd
White Night - 2,000 cd
Red Night - 2,000 cd
- Synchronization:** Multiple unit sync from single controller (operates with other units via RS485)

All values typical unless otherwise stated (tolerance +/- 10%)

US Patents #7,208,881 #7,568,821 7,604,380 #7,777,424

Temperature Ratings

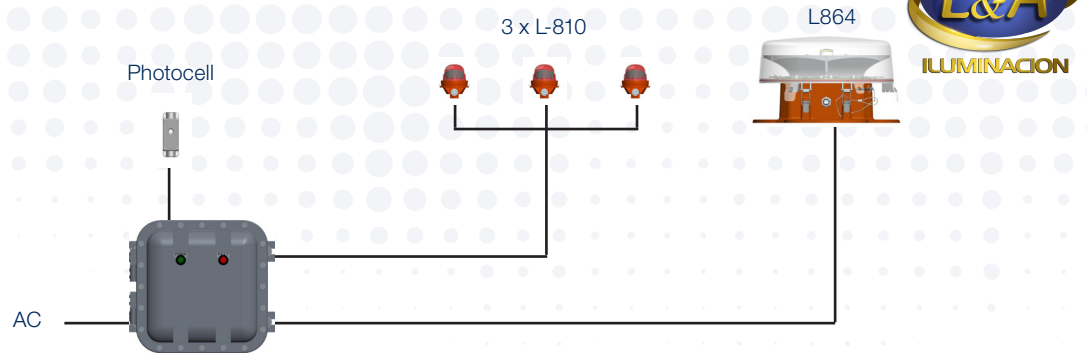
Ambient Temperature Range T5

-40°F to +131°F (-40°C to +55°C)

| Part Number | Description |
|---------------|------------------------|
| DHZ-BFHD-4CLX | Red / White Flash Head |

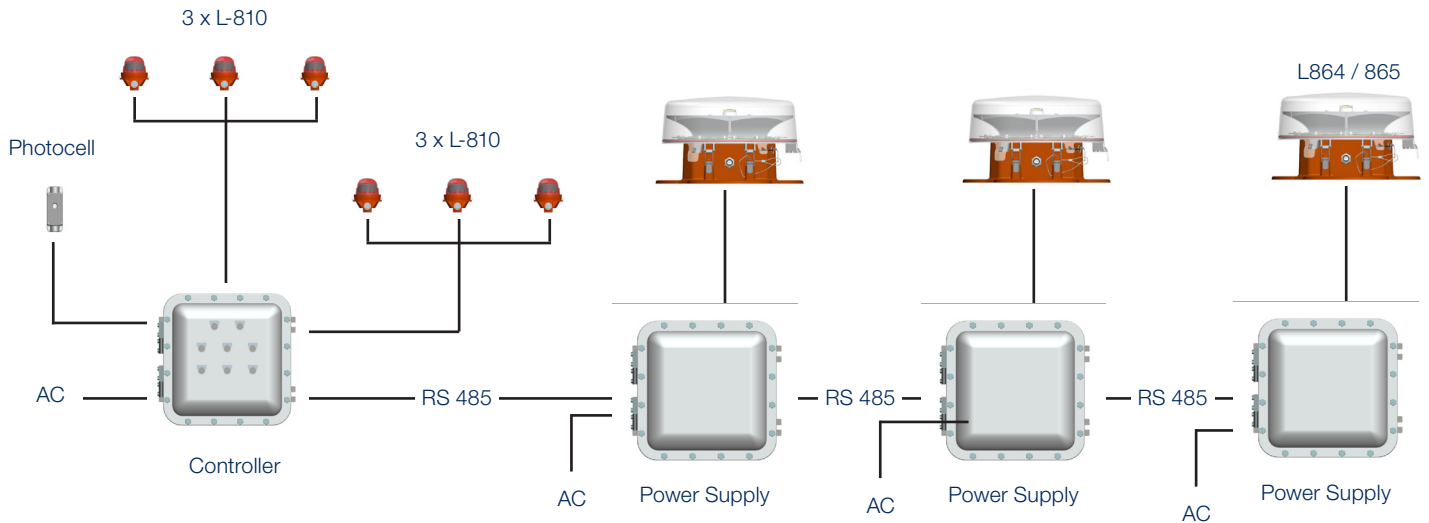
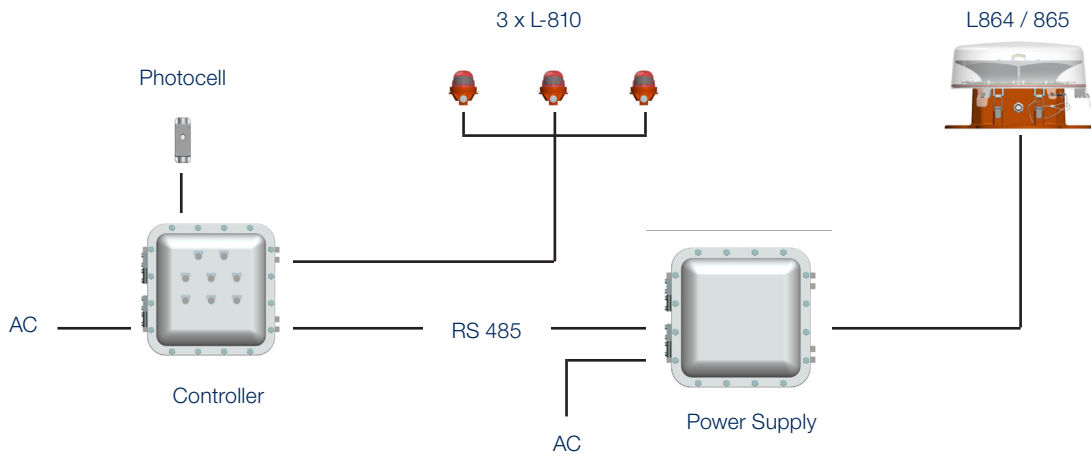
Class I, Div.2 rated L-864 Systems

Example layout



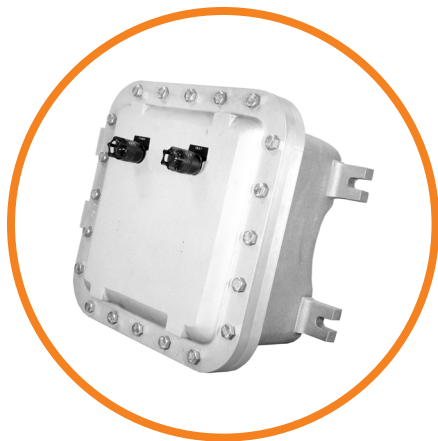
Class I, Div.2 rated L-864 / L-865 Systems

Example layouts



Vigilant® CID2 red L-864 / L-810 Controller

Class I, Div. 2

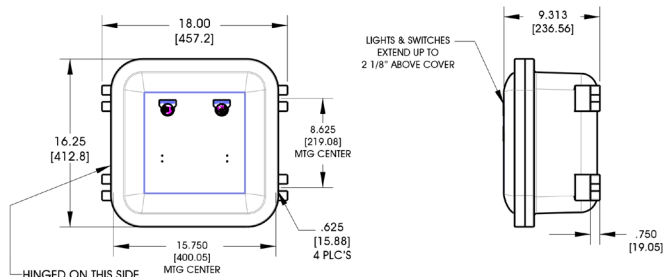


Certifications & Compliance

- Class 1, Division 2 Groups A,B,C,D
- IP66
- NEMA 4X
- UL 1203, 8750
- CSA C22.2 No 30, No. 250.13

Features & Benefits

- 5 year full performance warranty
- Flashing or steady operation
- 20, 30, or 40 flashes per minute
- Front panel indicators (power and alarm)
- Contact closures for alarms
- For use with Dialight's fixtures
 - L-864 Red Beacon (CID2) = D464-B13-001 - max 1 per port
 - L-810 Red Marker (CID2) = RTO-2R07-00X - max 4 per port
 - L-810 Red Marker (CID2) = 860-2R01-00X - max 2 per port
- Multiple controllers can be synchronized for larger systems
- Corrosion resistant
- Easy to install



Mechanical Information:

Fixture weight: 80 lbs (36 kg)

Electrical Specifications:

Operating Voltage: 120-240V AC 50/60Hz power factor corrected supply

Operating Temp: -40°F to +131°F (-40°C to +55°C)

Wattage: 5W

Temperature Rating: T4

Power Factor: > 0.9

All values typical unless otherwise stated (tolerance +/- 10%)

| Part Number | Description | Voltage |
|--------------------|---|-----------------------|
| DHZC-CTR-2C8-000LX | Controller for L-864 / L-810 Red lights | 120-240V AC, 50/60 Hz |

Controller for L-864 / L-865

Class I, Div. 1 and Class I, Div. 2



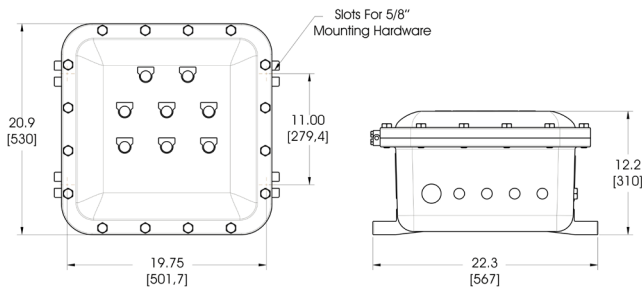
Certifications & Compliance

- Class I, Div 1
- Class 1, Div 2 Groups B, C, D
- UL 8750
- UL 1203
- IP66
- T6 temperature rating
- NEMA 4X copper free aluminum enclosure

Mechanical / Electrical Information:

- Unit weight:** 180 lbs (86.6 kg)
- Operating voltage:** 120 - 277V AC
125V DC
- Supply voltage ranges:** Nominal +/- 10%
- Power supply wattage:** White Day - 85W
White Night - 35W
Red Night - 25W
- Controller wattage:** 15W

All values typical unless otherwise stated (tolerance +/- 10%)



The controller will be equipped with a green indicator light on front panel to show energized status as well as a red indicator light on the front panel for failure status.

| Part Number | Description |
|--------------------------|---|
| DHZC - CTD - 8C8 - 030LX | Controller for up to 3 L-864 / L-865 lights |
| DHZC - CTD - 8C8 - 040LX | Controller for up to 4 L-864 / L-865 lights |
| DHZC - CTD - 8C8 - 060LX | Controller for up to 6 L-864 / L-865 lights |
| DHZC - CTD - 8C8 - 080LX | Controller for up to 8 L-864 / L-865 lights |
| DHZC-PSD-4C8LX | Power Supply (1 required per L-864 / L-865 light) |

Power Supply for L-864 / L-865

Class I, Div. 1 and Class I, Div. 2



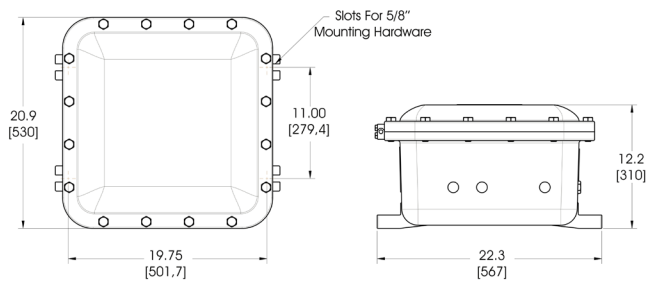
Certifications & Compliance

- Class I, Div 1
- Class 1, Div 2 Groups B, C, D
- UL 8750
- UL 1203
- IP66
- T6 temperature rating
- NEMA 4X copper free aluminum enclosure

Mechanical / Electrical Information:

- Unit weight:** 180 lbs (86.6 kg)
- Operating voltage:** 120 - 277V AC
125V DC
- Supply voltage ranges:** Nominal +/- 10%
- Power supply wattage:** White Day - 85W
White Night - 35W
Red Night - 25W
- Controller wattage:** 15W

All values typical unless otherwise stated (tolerance +/- 10%)



Dimensions in inches [mm]

| Part Number | Description |
|----------------|--------------|
| DHZC-PSD-4C8LX | Power Supply |

Long Life Photocell

Class I, Div. 2



Certifications & Compliance

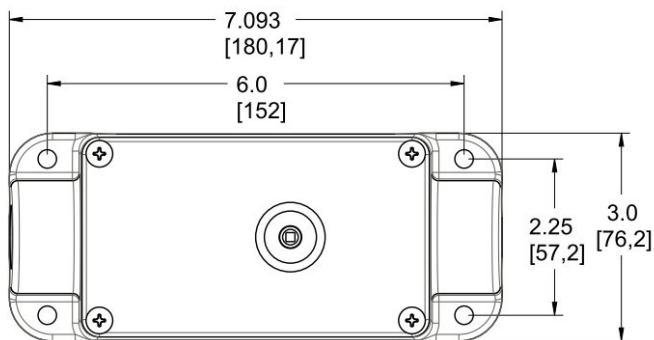
- Class I, Div 2 Groups B, C, D
- UL 773A
- ISA 12.12.01
- IP66
- T4A temperature rating
- NEMA 4X copper free aluminum enclosure



Mechanical / Electrical Information:

- Unit weight:** 2.00 lbs (0.91 kg)
- Operating voltage:** 12V DC (through Dialight Controller)
- Operating temperature:** -40°F to +131°F (-40°C to +55°C)

All values typical unless otherwise stated (tolerance +/- 10%)



Dimensions in inches [mm]

| Part Number | Description |
|---------------------|---------------------|
| DHZB - 6000 - PECLX | Long Life Photocell |

SafeSite® L-810 Red LED Side Lights

Class I, Div. 2



Certifications & Compliance

- Class I, Div 2 Groups B, C, D
- UL 1598
- UL 844
- IP66
- T3C temperature rating
- NEMA 4X copper free aluminum enclosure

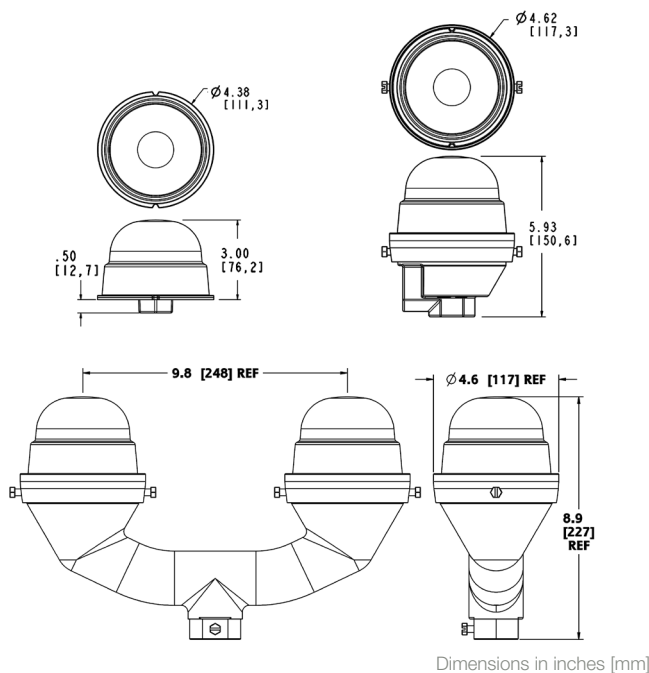
Mechanical / Electrical Information:

Unit weight: 1.25 lbs (0.56 kg) (retro unit)
2.00 lbs (0.91 kg) (single unit)
4.60 lbs (2.09 kg) (dual unit)

Operating voltage: 48V DC (through Dialight Controller) or 120 - 480V AC

Operating temperature: -40°F to +131°F (-40°C to +55°C)

All values typical unless otherwise stated (tolerance +/- 10%)



US Patents #6,425,678

| Part Number | Description | Description |
|---------------------------------------|--|---------------|
| For use with L-864 / L-865 Controller | | |
| RTO - ER08 - 001LX | Single light - 3.5W (for use with L-864/L-865 systems) | 12-48V DC |
| RTO - ER08 - 002LX | Dual light - 7W (for use with L-864/L-865 systems) | 12-48V DC |
| For use with L-864 Controller | | |
| RTO - 2R07 - 001LX | Single light - 6.5W (for use with L-864/L-865 systems) | 120 - 240V AC |
| RTO - 2R07 - 002LX | Dual light - 13W (for use with L-864/L-865 systems) | 120 - 240V AC |

SafeSite® L-810 Red LED Obstruction Lights

Class I, Div. 2 and ATEX / IECEx - V AC models

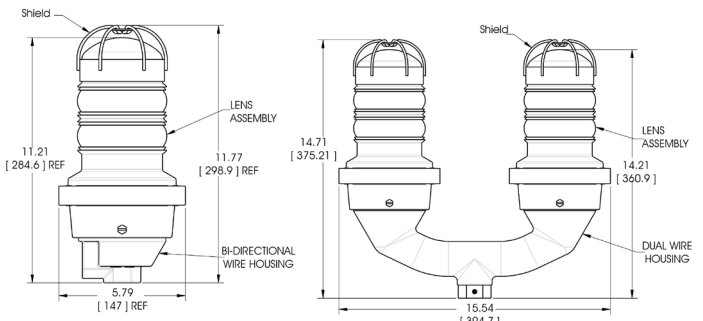


Certifications & Compliance

- FAA approved (Check FAA Website for current certification)
- Class I, Div 2, Groups A, B, C, D
- ATEX / IECEx Zone 2
- IECEx SIR 08.0018X
- Sira 06ATEX4372X
- UL1598
- UL844
- IP65 / 67
- NEMA 4X
- ICAO (Annex 14 - Fourth Edition, July 2004), DGAC Mexico
- Canadian Aviation Regulation CAR 621.9 (Transport Canada)

Features & Benefits

- 5 year full performance warranty
- Uses 90% less energy than an incandescent
- Weather/corrosion resistant lamp assembly and housing
- Resistant to shock and vibration
- Available as single or dual unit
- Flash models available
- Withstand wind in excess of 150 mph (240 kph), salt fog



Dimensions in inches [mm]

Temperature Ratings

| Class I Div. 2 models | ATEX / IECEx models |
|----------------------------------|----------------------------------|
| Ambient Temperature Range T4A | Ambient Temperature Range T4A |
| -67°F to +131°F (-55°C to +55°C) | -67°F to +131°F (-55°C to +55°C) |

Mechanical Information

Single Units

Fixture weight: 7.14 lbs (3.24 kg)
Mounting: Threaded 1" NPT and 3/4" NPT bottom hub for mounting

Dual Units

Fixture weight: 16.06 lbs (7.28 kg)
Mounting: Threaded 1" NPT and 3/4" NPT bottom hub for mounting

Electrical specifications

Volt Amps: 44 VA (120V AC) +-10%
 67 VA (230V AC Units) +-15%
Input Power: 14.5 W (120V AC Units)
 16.0 W (230V AC Units)
Operating Temp: -67°F to +131°F (-55°C to +55°C)

Construction

Housing: Cast aluminum
Lens: Glass
Accessories (Hardware): Stainless steel
 All values typical unless otherwise stated (tolerance +/- 10%)

US Patent # 6,425,678

SafeSite® L-810 Red LED Obstruction Lights

Class I, Div 2 and ATEX / IECEx - V AC models



| Part Number | Description | Voltage |
|-----------------------|-----------------------------|---------|
| Class I, Div 2 Models | | |
| 860-2R01-001LX | Class I, Div 2, Single Unit | 120V AC |
| 860-2R02-001LX | Class I, Div 2, Single Unit | 230V AC |
| 860-2R01-002LX | Class I, Div 2, Dual Unit | 120V AC |
| 860-2R02-002LX | Class I, Div 2, Dual Unit | 230V AC |
| ATEX / IECEx Models | | |
| 860-9R01-001LX | ATEX / IECEx, Single Unit | 120V AC |
| 860-9R02-001LX | ATEX / IECEx , Single Unit | 230V AC |
| 860-9R01-002LX | ATEX / IECEx, , Dual Unit | 120V AC |
| 860-9R02-002LX | ATEX / IECEx, Dual Unit | 230V AC |

*Steady Burn

SafeSite® LED Steady Burn Visual Signal Lights

Colored Visual Signal Lights - Class I, Div. 2 and ATEX / IECEx - V AC models

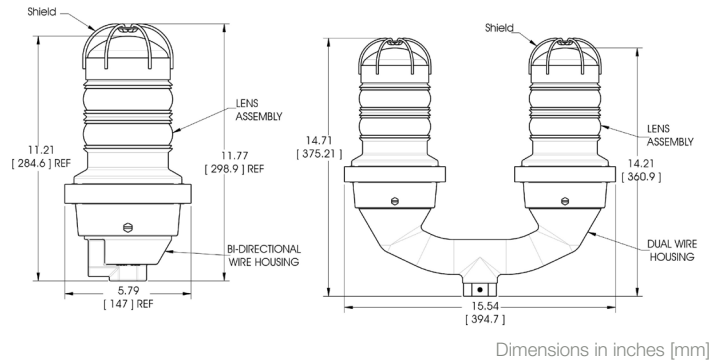


Certifications & Compliance

- FAA AC No. 150/5345-43G
- Class I, Div 2, Groups A, B, C, D
- ATEX / IECEx Zone 2
- IECEx SIR 08.0018X
- Sira 06ATEX4372X
- UL1598
- UL844
- IP 65 / 66
- NEMA 4X
- ICAO (Annex 14 - Fourth Edition, July 2004), DGAC Mexico
- Canadian Aviation Regulation CAR 621.9 (Transport Canada)

Features & Benefits

- 5 year full performance warranty
- Uses 90% less energy than an incandescent
- Weather/corrosion resistant lamp assembly and housing
- Resistant to shock and vibration
- Available as single or dual unit
- Flash models available
- Withstand wind in excess of 150 mph (240 kph), salt fog



Mechanical Information

Single Units

Fixture weight: 7.14 lbs (3.24 kg)

Mounting: Threaded 1" NPT and 3/4" NPT bottom hub for mounting

Dual Units

Fixture weight: 16.06 lbs (7.28 kg)

Mounting: Threaded 1" NPT and 3/4" NPT bottom hub for mounting

Electrical specifications

Volt amps: 44 VA (120V AC) +-10%
67 VA (230V AC Units) +-15%

Input power: 14.5 W (120V AC Units)
16.0 W (230V AC Units)

Operating temp: -67°F to +131°F (-55°C to +55°C)

On / off time: 100:900 ms

Construction

Housing: Cast aluminum

Lens: Glass

Accessories (Hardware): Stainless steel

All values typical unless otherwise stated (tolerance +/- 10%)

US Patents #7,208,881 #7,568,821 7,604,380 #7,777,424

Temperature Ratings

| Class I Div. 2 models | ATEX / IECEx models |
|----------------------------------|----------------------------------|
| Ambient Temperature Range T4A | Ambient Temperature Range T4A |
| -67°F to +131°F (-55°C to +55°C) | -67°F to +131°F (-55°C to +55°C) |

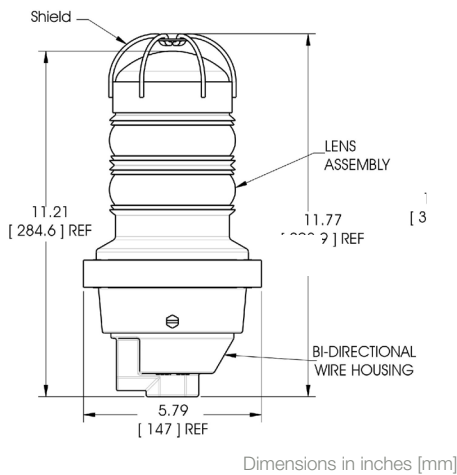
SafeSite® L-810 LED Steady Burn Visual Signal Lights

Colored Visual Signal Lights - Class I, Div. 2 and ATEX / IECEx - V AC models

| Part Number | Description | Voltage | Color |
|--|-----------------------------|---------|--------|
| Class I, Div 2 - Single Fixture Models | | | |
| 860-2B01-001LX | Class I, Div 2, Single Unit | 120V AC | Blue |
| 860-2G01-001LX | Class I, Div 2, Single Unit | 120V AC | Green |
| 860-2Y01-001LX | Class I, Div 2, Single Unit | 120V AC | Yellow |
| 860-2W01-001LX | Class I, Div 2, Single Unit | 120V AC | White |
| 860-2B02-001LX | Class I, Div 2, Single Unit | 230V AC | Blue |
| 860-2G02-001LX | Class I, Div 2, Single Unit | 230V AC | Green |
| 860-2Y02-001LX | Class I, Div 2, Single Unit | 230V AC | Yellow |
| 860-2W02-001LX | Class I, Div 2, Single Unit | 230V AC | White |
| Class I, Div 2 - Dual Fixture Models | | | |
| 860-2B01-002LX | Class I, Div 2, Dual Unit | 120V AC | Blue |
| 860-2G01-002LX | Class I, Div 2, Dual Unit | 120V AC | Green |
| 860-2Y01-002LX | Class I, Div 2, Dual Unit | 120V AC | Yellow |
| 860-2W01-002LX | Class I, Div 2, Dual Unit | 120V AC | White |
| 860-2B02-002LX | Class I, Div 2, Dual Unit | 230V AC | Blue |
| 860-2G02-002LX | Class I, Div 2, Dual Unit | 230V AC | Green |
| 860-2Y02-002LX | Class I, Div 2, Dual Unit | 230V AC | Yellow |
| 860-2W02-002LX | Class I, Div 2, Dual Unit | 230V AC | White |
| ATEX / IECEx - Single Fixture Models | | | |
| 8609B02001LX | ATEX / IECEx, Single Unit | 230V AC | Blue |
| 8609G02001LX | ATEX / IECEx , Single Unit | 230V AC | Green |
| 8609Y02001LX | ATEX / IECEx, Single Unit | 230V AC | Yellow |

SafeSite® FLS LED Flashing Visual Signal Lights

Colored Visual Signal Lights - Class I, Div. 2 - V AC models



Temperature Ratings

| | |
|-------------------------------------|--------------------------------------|
| Ambient Temperature Range T4 | Ambient Temperature Range T3C |
| -67°F to +131°F (-55°C to +55°C) | -67°F to +149°F (-55°C to +65°C) |

Certifications & Compliance

- Class I, Div 2, Groups A, B, C, D
- UL1598
- UL844
- IP66
- NEMA 4X

Features & Benefits

- 5 year full performance warranty
- Uses 90% less energy than an incandescent
- Weather/corrosion resistant lamp assembly and housing
- Resistant to shock and vibration
- Available as a single unit
- Unique optically designed lens to enhance LED operation and provide 360° visibility

Mechanical Information

- Fixture weight:** 7.14 lbs (3.24 kg)
Mounting: Threaded 1" NPT and 3/4" NPT bottom hub for mounting

Electrical specifications

- Volt Amps:** 44 VA (120V AC) +-10%
67 VA (230V AC Units) +-15%
Input Power: 14.5 W (120V AC Units)
16.0 W (230V AC Units)
Operating Temp: -67°F to +131°F (-55°C to +55°C)
On / off time: 100:900 ms

Construction

- Housing:** Cast aluminum
Lens: Glass
Accessories (Hardware): Stainless steel
 All values typical unless otherwise stated (tolerance +/- 10%)

US Patent # 6,425,678

| Part Number | Description | Voltage | Color |
|-----------------------------|-----------------------------|---------|--------|
| 120V AC Models | | | |
| FLS-2B01-001LX | Class I, Div 2, Single Unit | 120V AC | Blue |
| FLS-2G01-001LX | Class I, Div 2, Single Unit | 120V AC | Green |
| FLS-2R01-001LX | Class I, Div 2, Single Unit | 120V AC | Red |
| FLS-2Y01-001LX | Class I, Div 2, Single Unit | 120V AC | Yellow |
| FLS-2W01-001LX | Class I, Div 2, Single Unit | 120V AC | White |
| 230V AC Dual Fixture Models | | | |
| FLS-2B02-001LX | Class I, Div 2, Single Unit | 230V AC | Blue |
| FLS-2G02-001LX | Class I, Div 2, Single Unit | 230V AC | Green |
| FLS-2R02-001LX | Class I, Div 2, Single Unit | 230V AC | Red |
| FLS-2Y02-001LX | Class I, Div 2, Single Unit | 230V AC | Yellow |
| FLS-2W02-001LX | Class I, Div 2, Single Unit | 230V AC | White |

SafeSite® FLS LED Flashing Signal Lights

With Flat Base Junction Box - Class I, Div. 2 - V AC models

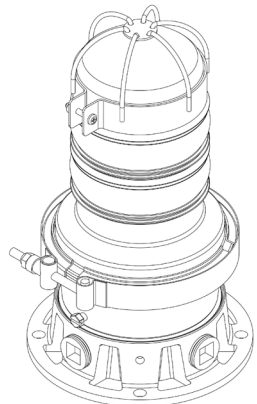
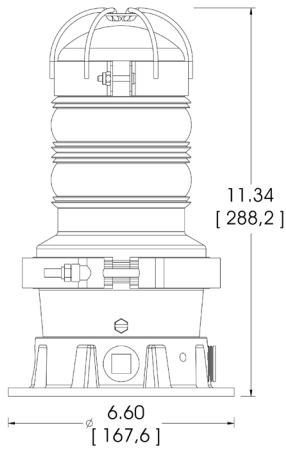


Certifications & Compliance

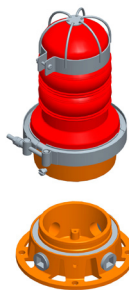
- Class I, Div 2, Groups A, B, C, D
- UL1598
- UL844
- IP65 / 66
- NEMA 4X

Features & Benefits

- 5 year full performance warranty
- Uses 90% less energy than an incandescent
- Weather/corrosion resistant lamp assembly and housing
- Resistant to shock and vibration
- Available as a single unit
- Unique optically designed lens to enhance LED operation and provide 360° visibility



Dimensions in inches [mm]



Mechanical Information

- Fixture weight:** 7.14 lbs (3.24 kg)
- Mounting:** Threaded 1" NPT on 4 sides and 1 on bottom

Electrical specifications

- Volt Amps:** 44 VA (120V AC Units)
- Input Power:** 14.5 W (120V AC Units)
- Operating Temp:** -67°F to +131°F (-55°C to +55°C)
- On/Off Time:** 100:900ms

Construction

- Housing:** Cast aluminum
- Lens:** Glass
- Accessories (Hardware):** Threaded 3/4" NPT reducer
Threaded 1" NPT plug
Stainless steel cage

All values typical unless otherwise stated (tolerance +/- 10%)

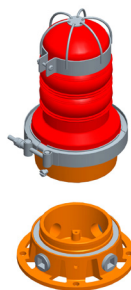
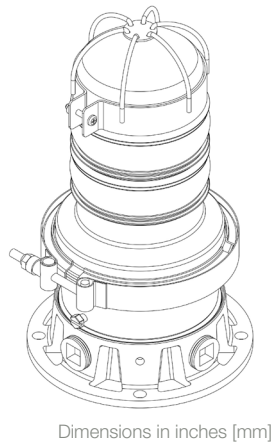
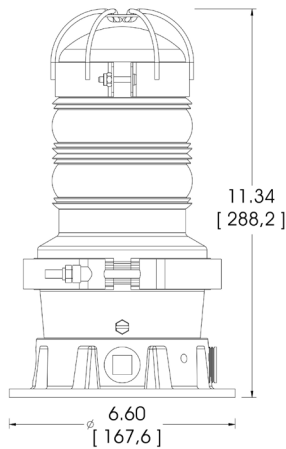
Temperature Ratings

| Ambient Temperature Range T4 | Ambient Temperature Range T3C |
|----------------------------------|----------------------------------|
| -67°F to +131°F (-55°C to +55°C) | -67°F to +149°F (-55°C to +65°C) |

| Part Number | Description | Voltage | Color |
|----------------|---------------------------|---------|--------|
| FLS-2B01-005LX | Class I, Div 2, Flat Base | 120V AC | Blue |
| FLS-2R01-005LX | Class I, Div 2, Flat Base | 120V AC | Red |
| FLS-2Y01-005LX | Class I, Div 2, Flat Base | 120V AC | Yellow |
| FLS-2G01-005LX | Class I, Div 2, Flat Base | 120V AC | Green |

SafeSite® L-810 LED Visual Signal Lights

With Flat Base Junction Box - Class I, Div. 2 models



Certifications & Compliance

- Class I, Div 2, Groups A, B, C, D
- UL1598
- UL844
- IP65 / 66
- NEMA 4X

Features & Benefits

- 5 year full performance warranty
- Uses 90% less energy than an incandescent
- Weather/corrosion resistant lamp assembly and housing
- Resistant to shock and vibration
- Available as a single unit
- Unique optically designed lens to enhance LED operation and provide 360° visibility

Mechanical Information

- Fixture weight:** 7.14 lbs (3.24 kg)
Mounting: Threaded 1" NPT on 4 sides and 1 on bottom

Electrical specifications

- Volt Amps:** 44 VA (120V AC Units)
Input Power: 14.5 W (120V AC Units)
Operating Temp: -67°F to +131°F (-55°C to +55°C)
On/Off Time: 100:900ms

Construction

- Housing:** Cast aluminum
Lens: Glass
Accessories (Hardware): Stainless steel
 All values typical unless otherwise stated (tolerance +/- 10%)

Temperature Ratings

| Ambient Temperature Range T4 | Ambient Temperature Range T3C |
|----------------------------------|----------------------------------|
| -67°F to +131°F (-55°C to +55°C) | -67°F to +149°F (-55°C to +65°C) |

| Part Number | Description | Voltage | Color |
|----------------|---------------------------|---------|--------|
| 860-2B01-005LX | Class I, Div 2, Flat Base | 120V AC | Blue |
| 860-2R01-005LX | Class I, Div 2, Flat Base | 120V AC | Red |
| 860-2Y01-005LX | Class I, Div 2, Flat Base | 120V AC | Yellow |

North American HQ

1501 Route 34 South
Farmingdale, NJ 07727
Tel: 732-919-3119
Fax: 732-751-5778
info@dialight.com

EMEA Technical Centre

Tel: +44 1638 666541 (UK)
Tel: +49 89 12089 5713 (Germany)
Tel: +33 3 23 22 62 58 (France)
sales-europe@dialight.com

Houston

16830 Barker Springs Rd
Ste 407
Houston, TX 77084
Tel: 732-919-3119
Fax: 281-492-1531
info@dialight.com

Middle East

Level 42
Emirates Towers (Office Tower)
Sheikh Zayed Road
Dubai, United Arab Emirates
Fax: +971 (0) 4319 7686
Tel: +971 (0) 4319 7686

Australia

108 Howe Street
Osborne Park, Perth 6017
Australia
Tel: +61 (0) 8 9244 7600
Fax: +61 (0) 8 9244 7601
info@dialight.com.au

Southeast Asia

33 Ubi Avenue 3
#07-72 Vertex (Tower A)
Singapore 408868
Tel: +65 6578 7157
Fax: +65 6578 7150
enquiry@dialight.com.sg

Brazil

Alameda Mercurio,
225 – American Park Empresarial NR
Indaiatuba – SP – 13347– 662
Tel: +55 (19) 3113-4300
Fax: +55 (19) 3113-4300
brasil@dialight.com



REPRESENTACION PARA MEXICO: L&A ILUMINACION S.A DE C.V.

www.lyailuminacion.com.mx; Email: lya@lyailuminacion.com.mx
Tel: CdMx: 55+5363 4861 / 8381; Tequisquiapan: 414 273 0605.



Dialight reserves the right to make changes at any time in order to supply the best product possible. The most current models of this document will always be available at: www.dialight.com

Warranty Statement: EXCEPT FOR THE WARRANTY EXPRESSLY PROVIDED FOR [HEREIN/ABOVE/BELOW], DIALIGHT DISCLAIMS ANY AND ALL OTHER WARRANTIES, EXPRESS OR IMPLIED, INCLUDING, WITHOUT LIMITATION, ANY WARRANTIES OF MERCHANTABILITY, FITNESS FOR A PARTICULAR PURPOSE, TITLE, AND NONINFRINGEMENT.