

Dialight

.....

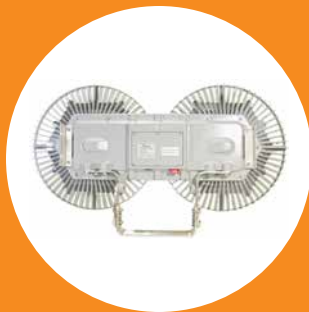


DuroSite® LED Floodlight - UL / CSA
for Indoor and Outdoor Industrial Applications



On when it matters most.

Products and solutions that protect your business





Features & Benefits

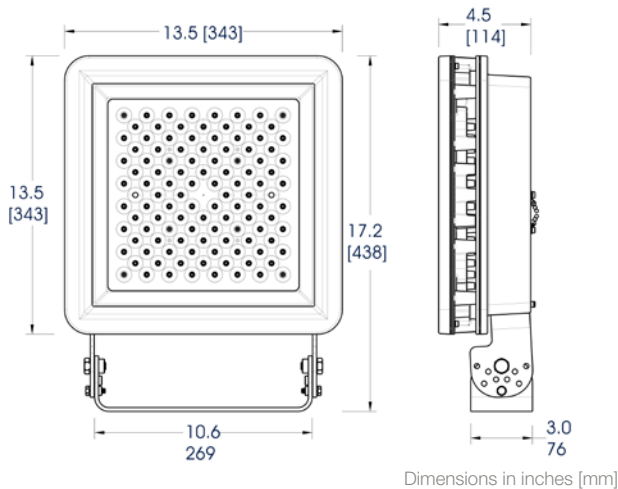
- 10 year full performance warranty
- L70 rated for >100,000 hours @ 25°C ambient
- DLC listed
- Instant on/off operation
- Universal input (100-277V AC, 50/60Hz or 347-480V AC, 60Hz)
- Superior color rendition index compared to HPS, LPS, MV
- Resistant to shock and vibration
- Isolated wiring compartment
- Integral safety straps
- Temperature compensation technology for longer life

Application

The DuroSite® LED Floodlight represents the future of energy efficient facility illumination for industrial applications worldwide. The lighting fixture consumes at least 50% less energy than traditional HID light sources, while reducing maintenance and carbon emissions. This light incorporates both cutting edge LED technology along with proprietary optics to achieve flood lighting comparable with other traditional light sources.

DuroSite LED Floodlight - UL / CSA

Standard Models



(100-277V AC models shown above. For 347-480V AC models, please consult factory)

Certifications & Ratings

- UL 1598/A
- CSA 22.2 NO. 250
- NEMA 4X
- IP66/67
- IK07
- ABS # 14-HS1209388-PDA

Mechanical Information:

Fixture weight:

- 100-277V AC: 27 lbs (12 kg)
- 347-480V AC: 30 lbs (14kg) (15,000-13,500lm models)
- 30 lbs (14 kg)

Shipping weight:

- 100-277V AC: 31 lbs (14 kg)
- 347-480V AC: 34 lbs (16kg) (15,000-13,500lm models)
- 34 lbs (16 kg)

EPA (Sq.ft):

0.55

Mounting:

304 Stainless steel trunnion mounting bracket included

Entries:

(2) 3/4" NPT cable entries

Electrical Specifications:

Operating voltage:

100 - 277V AC, 50/60Hz
 347-480V AC, 60Hz

Power consumption:

See table

Operating temp:

-40°F to +149°F (-40°C to +65°C)

Noise requirement /EMC:

EN 55015 - conducted and radiated
 FCC Title 47, Subpart B, Section 15,
 Class A device. RF Immunity; 10V/m,
 80MHz-1GHz

Surge protection:

Verified up to 6kV/2ohms at an
 independent test laboratory protection
 devices capable of 20kV

THD:

< 20%

Power factor:

> 0.9

Construction:

Housing:

Copper free aluminum

Finish:

Superior dual coat finish
 - sealed polyester topcoat
 - chemical resistant epoxy primer

Lens:

Tempered glass

Photometric Information:

CRI:

75
 80 CRI models available

CCT:

5000K (cool white)

NEMA Patterns:

7x6 - Asymmetrical (140° x 115°)
 6x7 - Asymmetrical (115° x 140°)
 6 - Very wide (115°)
 5 - Wide (93°)
 4 - Medium (52°)
 2 - Narrow (23°)

IES files:

Available at www.dialight.com

All values typical unless otherwise stated
 Lumen values are typical (tolerance +/- 10%)

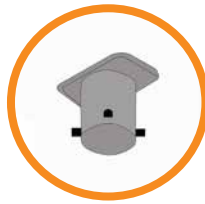
DuroSite LED Floodlight - UL / CSA

Mounting Accessories



HZXSAFECBLS

- Safety cable kit
- Kit includes: (2) Safety cables



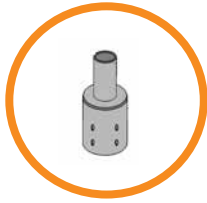
FLX-1TPT-20DB¹

- Tenon pole topper, 2-3/8" mount
- Kit includes: Tenon topper, pole set screws, and mounting hardware



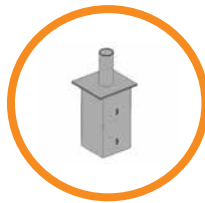
FLX-1RAB-20DB

- Right angle mounting bracket for 2-3/8" light mount
- Kit includes: Right angle bracket



FLX-3RPA-20DB FLX-4RPA-20DB

- Reducer for 3" or 4" OD round pole top to 2-3/8" light mount
- Kit includes: Reducer pole set screws



FLX-4SPA-20DB FLX-5SPA-20DB FLX-6SPA-20DB

- Internal tenon adapter for 4", 5" or 6" square pole top to 2-3/8" light mount
- Kit includes: Adapter



FLX-2LBH-20DB

- Bull horn for 2 lights, 2-3/8" mount, 21" spacing
- Kit includes: Bull horn, pole set screws



FLX-3LBH-20DB

- Bull horn for 3 lights, 2-3/8" mount, 21" spacing
- Kit includes: Bull horn, pole set screws



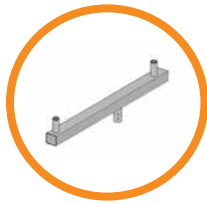
FLX-4LBH-20DB

- Bull horn for 4 lights, 2-3/8" mount, 21" spacing
- Kit includes: Bull horn, pole set screws



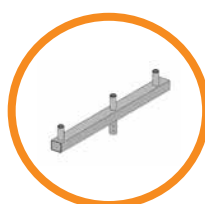
FLX-4RBH-20DB

- Bull horn for 4 lights, 2-3/8" mount, 21" spacing
- Kit includes: Bull horn, pole set screws



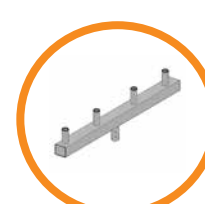
FLX-2RSR-20DB

- Bull horn for 2 lights, 2-3/8" mount, 21" spacing
- Kit includes: Bull horn, pole set screws



FLX-3RSR-20DB

- Bull horn for 3 lights, 2-3/8" mount, 21" spacing
- Kit includes: Bull horn, pole set screws



FLX-4RSR-20DB

- Bull horn for 4 lights, 2-3/8" mount, 21" spacing
- Kit includes: Bull horn, pole set screws

¹Brackets and adapters require the tenon pole topper (FLX-1TPT-20DB) to mount floodlight. Tenon pole topper sold separately.

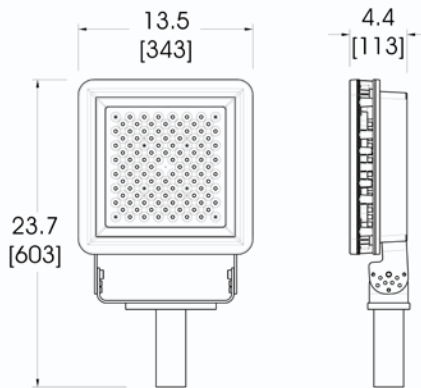
DuroSite LED Floodlight - UL / CSA

Mounting Options



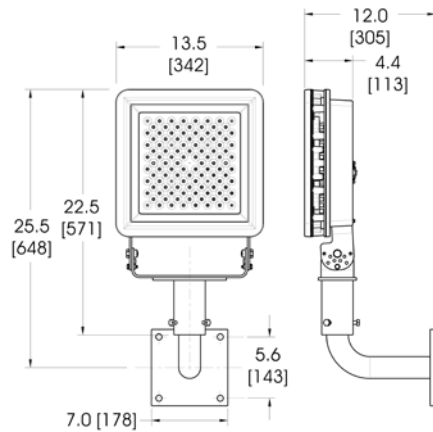
Product shipped with bracket installed
 (Bracket has locking positions at 0°, (±) 22.5°, (±) 45°, (±) 67.5°, and 90°)

FLX-1RAB-20DB



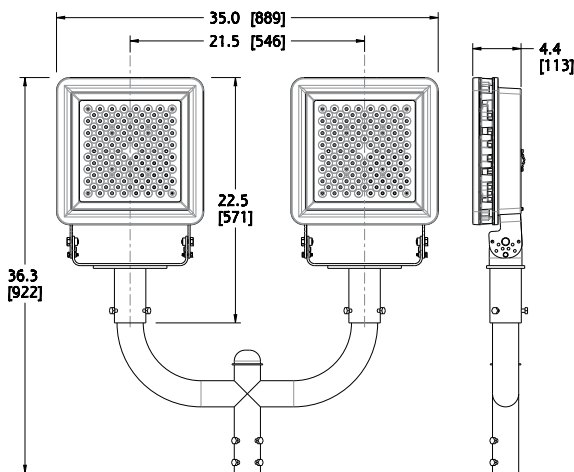
(Fixture sold separately 100-277V AC models shown above. For 347-480V AC models, please consult factory.)

FLX-1TPT-20DB



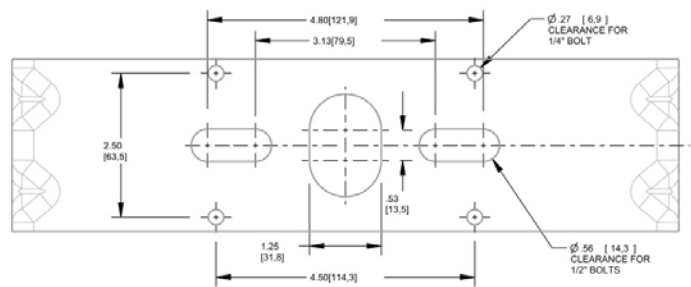
(Fixture sold separately 100-277V AC models shown above. For 347-480V AC models, please consult factory.)

FLX-2LBH-20DB



(Fixture sold separately 100-277V AC models shown above. For 347-480V AC models, please consult factory.)

Factory Installed Mounting Bracket



(100-277V AC models shown above. For 347-480V AC models, please consult factory.)

DuroSite LED Floodlight - UL / CSA

Ordering Information and Light Distribution Pattern

Part Number	Fixture Lumens	Wattage	Lumens Per Watt	Voltage	Color	Light Distribution
100 - 277V AC Models						
FLW466NC4NG-LX-NOM	15,000	130	115	100 - 277V AC	5000K (cool white)	NEMA 6, field angle 115°
FLW476NC4NG-LX-NOM	14,750	130	115	100 - 277V AC	5000K (cool white)	NEMA 7x6, field angle 140° x 115°
FLW467NC4NG-LX-NOM	14,750	130	115	100 - 277V AC	5000K (cool white)	NEMA 6x7, field angle 115° x 140°
FLW455NC4NG-LX-NOM	14,500	140	104	100 - 277V AC	5000K (cool white)	NEMA 5, field angle 93°
FLW444NC4NG-LX-NOM	14,500	140	104	100 - 277V AC	5000K (cool white)	NEMA 4, field angle 52°
FLW422NC4NG-LX-NOM	13,500	140	96	100 - 277V AC	5000K (cool white)	NEMA 2, field angle 23°
FLW276NC2NG-LX-NOM	11,500	109	105	100 - 277V AC	5000K (cool white)	NEMA 7x6, field angle 140° x 115°
FLW267NC2NG-LX-NOM	11,500	109	105	100 - 277V AC	5000K (cool white)	NEMA 6x7, field angle 115° x 140°
FLW266NC2NG-LX-NOM	11,250	109	103	100 - 277V AC	5000K (cool white)	NEMA 6, field angle 115°
FLW255NC2NG-LX-NOM	11,000	109	101	100 - 277V AC	5000K (cool white)	NEMA 5, field angle 93°
FLW244NC2NG-LX-NOM	10,500	109	96	100 - 277V AC	5000K (cool white)	NEMA 4, field angle 52°
FLW222NC2NG-LX-NOM	10,750	109	99	100 - 277V AC	5000K (cool white)	NEMA 2, field angle 23°
347 - 480V AC Models						
FLW276NC5NG-LX-NOM	11,750	112	105	347 - 480V AC	5000K (cool white)	NEMA 7x6, field angle 140° x 115°
FLW266NC5NG-LX-NOM	11,250	112	100	347 - 480V AC	5000K (cool white)	NEMA 6, field angle 115°
FLW255NC5NG-LX-NOM	10,000	112	89	347 - 480V AC	5000K (cool white)	NEMA 5, field angle 93°
FLW244NC5NG-LX-NOM	10,000	112	89	347 - 480V AC	5000K (cool white)	NEMA 4, field angle 52°
FLW222NC5NG-LX-NOM	10,000	112	89	347 - 480V AC	5000K (cool white)	NEMA 2, field angle 23°

All values typical unless otherwise stated, Lumen values are typical (tolerance +/- 10%).

Part numbers listed in the table above are powder coated gray. For bronze powder, coat replace the 10th character with **Z**. FLW244NC2NG becomes FLW244NC2ZG

Light Distribution Patterns

