

Dialight

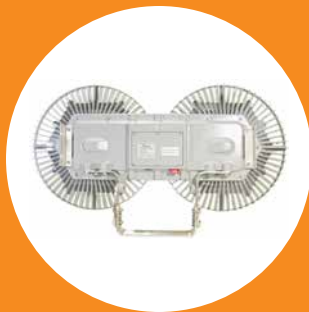


SafeSite[®] LED Floodlight - UL 844 for Indoor and Outdoor Hazardous Applications



On when it matters most.

Products and solutions that protect your business





Features & Benefits

- 10 year full performance warranty
- L70 rated for >100,000 hours @ 25°C ambient
- DLC listed
- Instant on/off operation
- Universal input (100-277V AC, 50/60Hz or 347-480V AC, 60Hz)
- Superior color rendition index compared to HPS, LPS, MV
- Resistant to shock and vibration
- Isolated wiring compartment
- Integral safety straps
- Temperature compensation technology for longer life

Application

The SafeSite® LED Floodlight represents the future of energy efficient facility illumination for hazardous applications worldwide. The fixture consumes at least 50% less energy than traditional HID light sources, while reducing maintenance and improving light quality. This light incorporates both cutting edge LED technology along with proprietary optics to achieve flood lighting comparable with other traditional light sources.



ATTORNEY

Hazardous Locations Ratings

Fixed and portable fixtures for installation and use in hazardous (classified) locations Class I, Divisions 1 and 2, Groups A, B, C, and D; Class II, Division 1, Groups E, F, and G; Class II, Division 2, Groups F and G; and Class III, Divisions 1 and 2, in accordance with the National Electrical Code, NFPA 70

Classes

The classes define the general nature of hazardous material in the surrounding atmosphere.

Class	Hazardous Material in Surrounding Atmosphere
Class I	Hazardous because flammable gases or vapors are present in the air in quantities sufficient to produce explosive or ignitable mixtures.
Class II	Hazardous because combustible or conductive dusts are present.
Class III	Hazardous because ignitable fibers or flying's are present, but not likely to be in suspension in sufficient quantities to produce ignitable mixtures. Typical wood chips, cotton, flax and nylon. Group classifications are not applied to this class.

Divisions

The division defines the probability of hazardous material being present in an ignitable concentration in the surrounding atmosphere.

Division	Presence of Hazardous Material
Division 1	The substance referred to by class is present during normal conditions.
Division 2	The substance referred to by class is present only in abnormal conditions, such as a container failure or system breakdown.

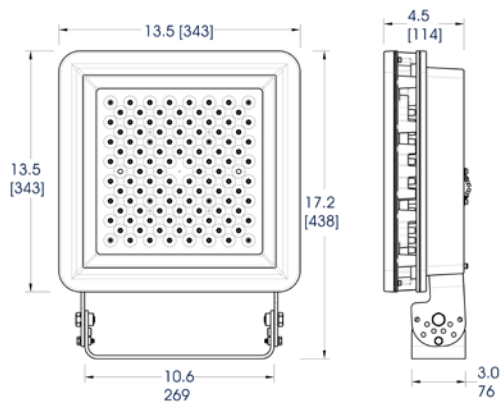
Groups

The group defines the hazardous material in the surrounding atmosphere.

Group	Hazardous Material in Surrounding Atmosphere
Group A	Acetylene
Group B	Hydrogen, fuel and combustible process gases containing more than 30% hydrogen by volume or gases of equivalent hazard such as butadiene, ethylene, oxide, propylene oxide and acrolein.
Group C	Carbon monoxide, ether, hydrogen sulfide, morphine, cyclopropane, ethyl and ethylene or gases of equivalent hazard.
Group D	Gasoline, acetone, ammonia, benzene, butane, cyclopropane, ethanol, hexane, methanol, methane, vinyl chloride, natural gas, naphtha, propane or gases of equivalent hazard.
Group E	Combustible metal dusts, including aluminum, magnesium and their commercial alloys or other combustible dusts whose particle size, abrasiveness and conductivity present similar hazards in connection with electrical equipment.
Group F	Carbonaceous dusts, carbon black, coal black, charcoal, coal or coke dusts that have more than 8% total entrapped volatiles or dusts that have been sensitized by other material so they present an explosion hazard.
Group G	Flour dust, grain dust, flour, starch, sugar, wood, plastic and chemicals.

SafeSite LED Floodlight - UL 844

Class I Div. 2 Models



(100-277V AC models shown above. For 347-480V AC models, please consult factory)

Temperature Ratings	
Ambient Temperature Range T4A Temperature Code	Ambient Temperature Range T5 Temperature Code
15,000 - 13,500lm models	11,500 - 10,750lm models
-40°F to +149°F (-40°C to +65°C)	-40°F to +149°F (-40°C to +65°C)

Certifications & Ratings

- Class I, Div 2 Groups A,B,C,D
- Class II, Div 1 Groups E,F,G
- Class II, Div 2 Groups F,G
- Class III
- UL 844
- CSA 22.2 NO. 137-M1981
- NEMA 4X
- IP66/67
- IK07
- ABS # 14-HS1209391-PDA

Mechanical Information:

Fixture weight:

100-277V AC: 27 lbs (12 kg)
 347-480V AC: 30 lbs (14kg) (15,000-13,500lm models)
 30 lbs (14 kg)

Shipping weight:

100-277V AC: 31 lbs (14 kg)
 347-480V AC: 34 lbs (16kg) (15,000-13,500lm models)
 34 lbs (16 kg)

EPA (Sq.ft):

0.55

Mounting:

304 Stainless steel trunnion mounting bracket included

Entries:

(2) 3/4" NPT cable entries

Electrical Specifications:

Operating voltage:

100 - 277V AC, 50/60Hz
 347-480V AC, 60Hz

Power consumption:

See table

Operating temp:

-40°F to +149°F (-40°C to +65°C)

Noise requirement /EMC:

EN 55015 - conducted and radiated
 FCC Title 47, Subpart B, Section 15,
 Class A device. RF Immunity; 10V/m,
 80MHz-1GHz

Surge protection:

EN61000-4-5
 Verified up to 6kV/2ohms at an
 independent test laboratory protection
 devices capable of 20kV

THD:

< 20%

Power factor:

> 0.9

Construction:

Housing:

Copper free aluminum

Finish:

Superior dual coat finish
 - sealed polyester topcoat
 - chemical resistant epoxy primer

Lens:

Tempered glass

Photometric Information:

CRI:

75
 80 CRI models available

CCT:

5000K (cool white)

NEMA Patterns:

7x6 - Asymmetrical (140° x 115°)
 6x7 - Asymmetrical (115° x 140°)
 6 - Very wide (115°)
 5 - Wide (93°)
 4 - Medium (52°)
 2 - Narrow (23°)

IES files:

Available at www.dialight.com

All values typical unless otherwise stated
 Lumen values are typical (tolerance +/- 10%)

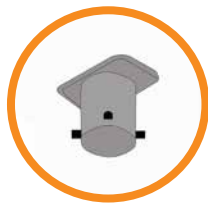
SafeSite LED Floodlight - UL 844

Mounting Accessories



HZXSAFECBLS

- Safety cable kit
- Kit includes: (2) Safety cables



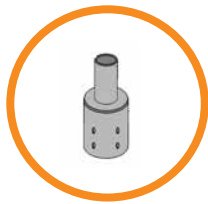
FLX-1TPT-20DB¹

- Tenon pole topper, 2-3/8" mount
- Kit includes: Tenon topper, pole set screws, and mounting hardware



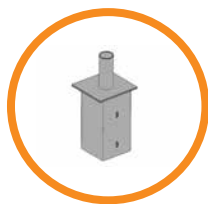
FLX-1RAB-20DB

- Right angle mounting bracket for 2-3/8" light mount
- Kit includes: Right angle bracket



FLX-3RPA-20DB FLX-4RPA-20DB

- Reducer for 3" or 4" OD round pole top to 2-3/8" light mount
- Kit includes: Reducer pole set screws



FLX-4SPA-20DB FLX-5SPA-20DB FLX-6SPA-20DB

- Internal tenon adapter for 4", 5" or 6" square pole top to 2-3/8" light mount
- Kit includes: Adapter



FLX-2LBH-20DB

- Bull horn for 2 lights, 2-3/8" mount, 21" spacing
- Kit includes: Bull horn, pole set screws



FLX-3LBH-20DB

- Bull horn for 3 lights, 2-3/8" mount, 21" spacing
- Kit includes: Bull horn, pole set screws



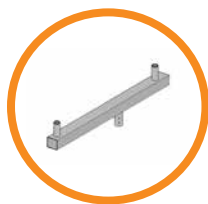
FLX-4LBH-20DB

- Bull horn for 4 lights, 2-3/8" mount, 21" spacing
- Kit includes: Bull horn, pole set screws



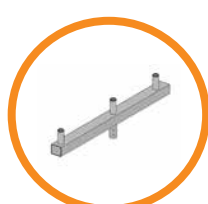
FLX-4RBH-20DB

- Bull horn for 4 lights, 2-3/8" mount, 21" spacing
- Kit includes: Bull horn, pole set screws



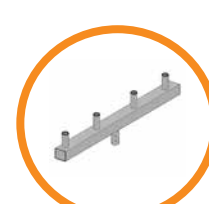
FLX-2RSR-20DB

- Bull horn for 2 lights, 2-3/8" mount, 21" spacing
- Kit includes: Bull horn, pole set screws



FLX-3RSR-20DB

- Bull horn for 3 lights, 2-3/8" mount, 21" spacing
- Kit includes: Bull horn, pole set screws



FLX-4RSR-20DB

- Bull horn for 4 lights, 2-3/8" mount, 21" spacing
- Kit includes: Bull horn, pole set screws

¹Brackets and adapters require the tenon pole topper (FLX-1TPT-20DB) to mount floodlight. Tenon pole topper sold separately.

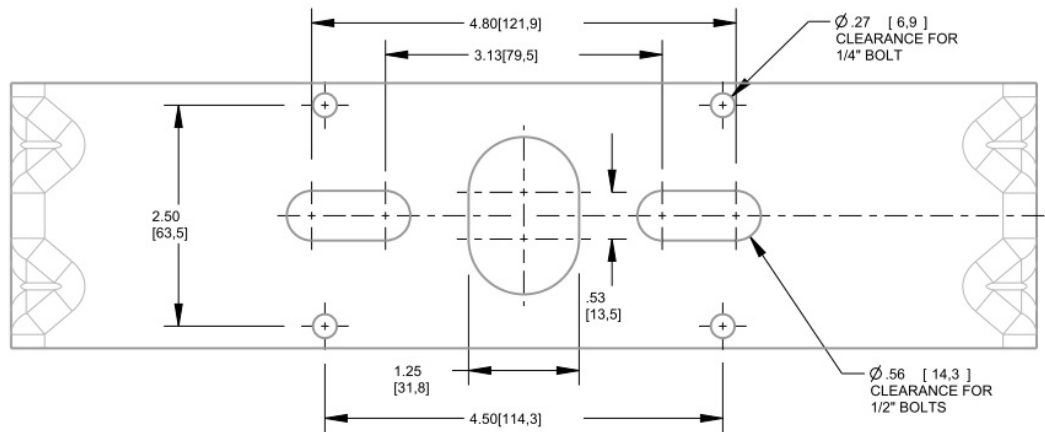
SafeSite LED Floodlight - UL 844

Mounting Options



Product shipped with bracket installed
 (Bracket has locking positions at 0°, (±) 22.5°, (±) 45°, (±) 67.5°, and 90°)

Factory Installed Mounting Bracket

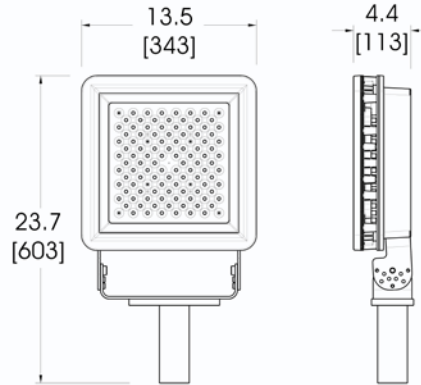


(100-277V AC models shown above. For 347-480V AC models, please consult factory.)

SafeSite LED Floodlight - UL 844

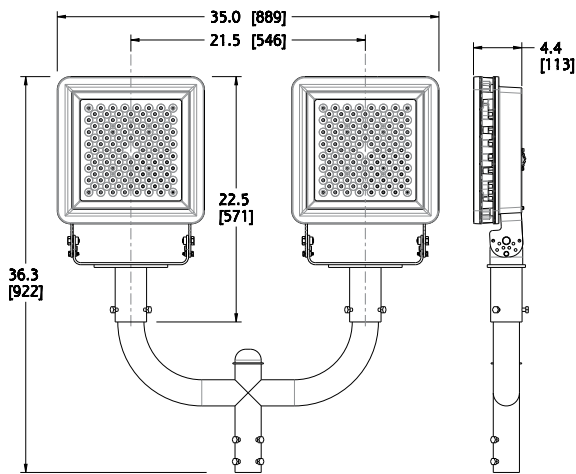
Mounting Options

FLX-1TPT-20DB



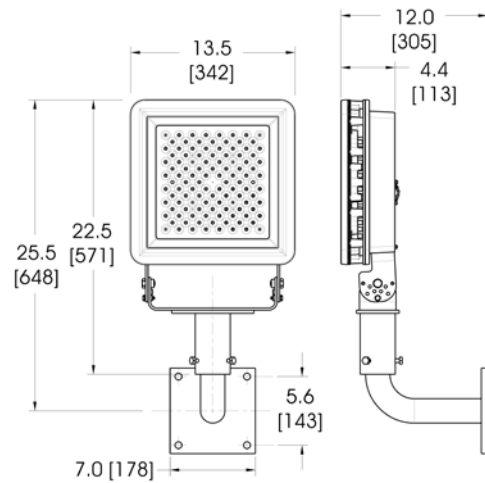
(Fixture sold separately 100-277V AC models shown above. For 347-480V AC models, please consult factory.)

FLX-2LBH-20DB



(Fixture sold separately 100-277V AC models shown above. For 347-480V AC models, please consult factory.)

FLX-1RAB-20DB

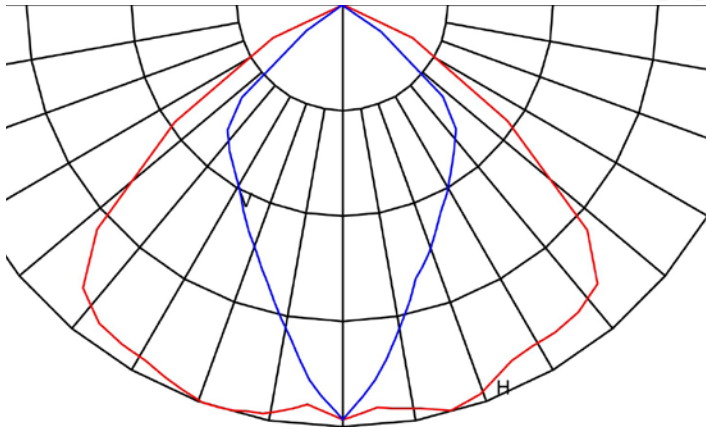


(Fixture sold separately 100-277V AC models shown above. For 347-480V AC models, please consult factory.)

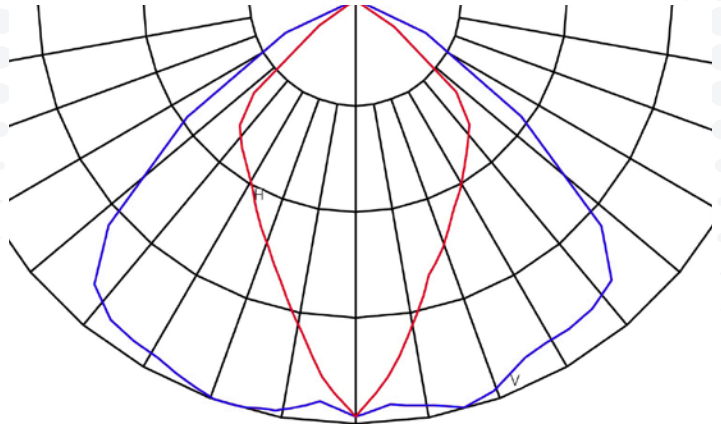
SafeSite LED Floodlight - UL 844

Light Distribution Pattern

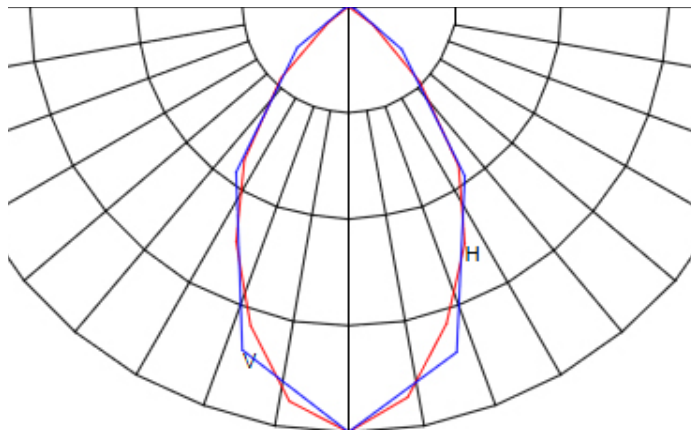
NEMA 7x6 - Field angle = 140° x 115°



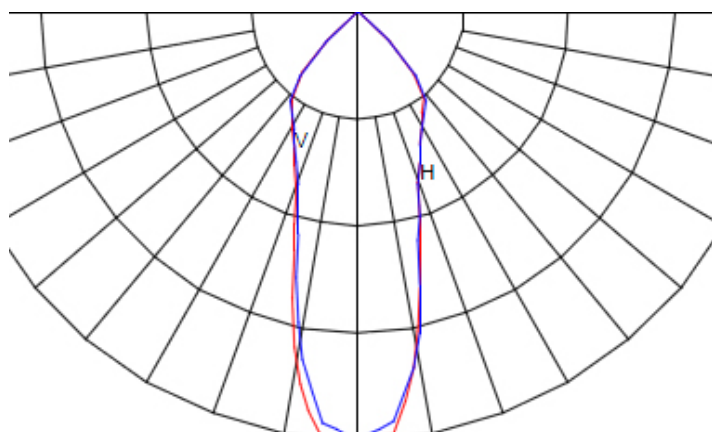
NEMA 6x7 - Field angle = 115° x 140°



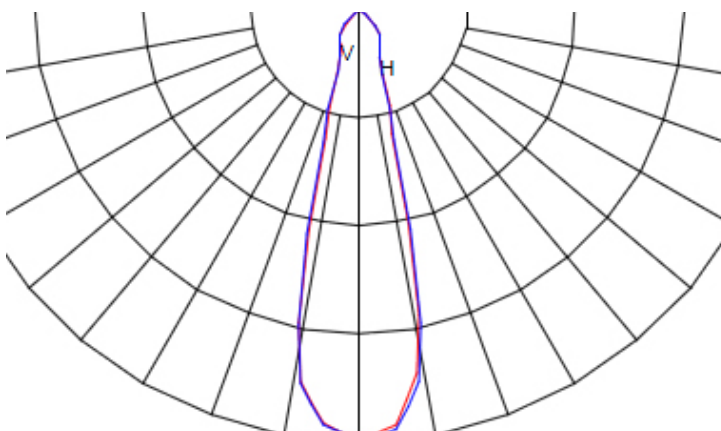
NEMA 6 - Field angle = 115°



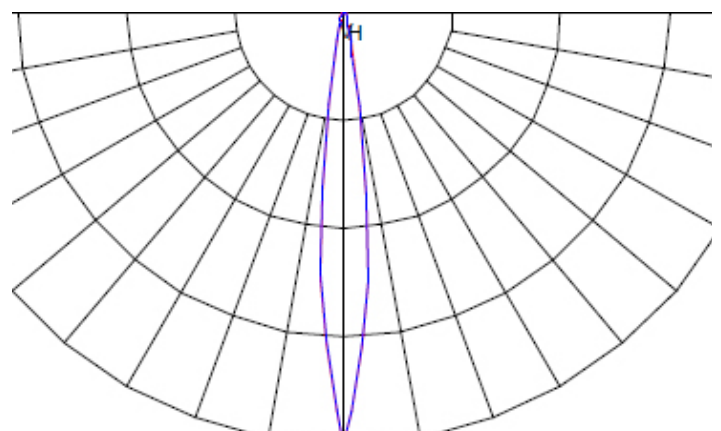
NEMA 5 - Field angle = 93°



NEMA 4 - Field angle = 52°



NEMA 2 - Field angle = 2°



SafeSite LED Floodlight - UL 844

Ordering Information

Classifications: CID2 A, B, C, D • CIID1 E, F, G • CIID2 F, G • CIII

Part Number	CID1	CID2	CIID1	CIID2	CIII	Voltage	Lens	CCT	Fixture Lumens	Watt	lm/W	Optical Pattern
Standard Models - 100 - 277V AC												
FLD466NC4NG-LX-NOM		•	•	•	•	100-277V AC	Tempered glass	5000K (cool white)	15,000	130	115	Nema 6, (115°)
FLD476NC4NG-LX-NOM		•	•	•	•	100-277V AC	Tempered glass	5000K (cool white)	14,750	130	113	Nema 7x6 (140° x 115°)
FLD467NC4NG-LX-NOM		•	•	•	•	100-277V AC	Tempered glass	5000K (cool white)	14,750	130	113	Nema 6x7 (115° x 140°)
FLD455NC4NG-LX-NOM		•	•	•	•	100-277V AC	Tempered glass	5000K (cool white)	14,500	140	104	Wide (93°)
FLD444NC4NG-LX-NOM		•	•	•	•	100-277V AC	Tempered glass	5000K (cool white)	14,500	140	104	Medium (52°)
FLD422NC4NG-LX-NOM		•	•	•	•	100-277V AC	Tempered glass	5000K (cool white)	13,500	140	96	Narrow (23°)
FLD276NC2NG-LX-NOM		•	•	•	•	100-277V AC	Tempered glass	5000K (cool white)	11,500	109	105	Asymmetrical (140° x 115°)
FLD267NC2NG-LX-NOM		•	•	•	•	100-277V AC	Tempered glass	5000K (cool white)	11,500	109	105	Asymmetrical (115° x 140°)
FLD266NC2NG-LX-NOM		•	•	•	•	100-277V AC	Tempered glass	5000K (cool white)	11,250	109	103	Very wide (115°)
FLD255NC2NG-LX-NOM		•	•	•	•	100-277V AC	Tempered glass	5000K (cool white)	11,000	109	101	Wide (93°)
FLD244NC2NG-LX-NOM		•	•	•	•	100-277V AC	Tempered glass	5000K (cool white)	10,500	109	96	Medium (52°)
FLD222NC2NG-LX-NOM		•	•	•	•	100-277V AC	Tempered glass	5000K (cool white)	10,750	109	99	Narrow (23°)
Standard Models - 347 - 480V AC												
FLD276NC5NG-LX-NOM		•	•	•	•	347-480V AC	Tempered glass	5000K (cool white)	11,750	112	105	Asymmetrical (140° x 115°)
FLD266NC5NG-LX-NOM		•	•	•	•	347-480V AC	Tempered glass	5000K (cool white)	11,250	112	100	Very wide (115°)
FLD255NC5NG-LX-NOM		•	•	•	•	347-480V AC	Tempered glass	5000K (cool white)	10,000	112	89	Wide (93°)
FLD244NC5NG-LX-NOM		•	•	•	•	347-480V AC	Tempered glass	5000K (cool white)	10,000	112	89	Medium (52°)
FLD222NC5NG-LX-NOM		•	•	•	•	347-480V AC	Tempered glass	5000K (cool white)	10,000	112	89	Narrow (23°)

All values typical unless otherwise stated, Lumen values are typical (tolerance +/- 10%).

Part numbers listed in the table above are powder coated gray. For bronze powder, coat replace the 10th character with **Z**. FLD244NC2NG becomes FLD244NC2ZG

